

# SONANCE ARCHITECTURAL SERIES®

AS38RS AND AS68RS (ROUND AND SQUARE)

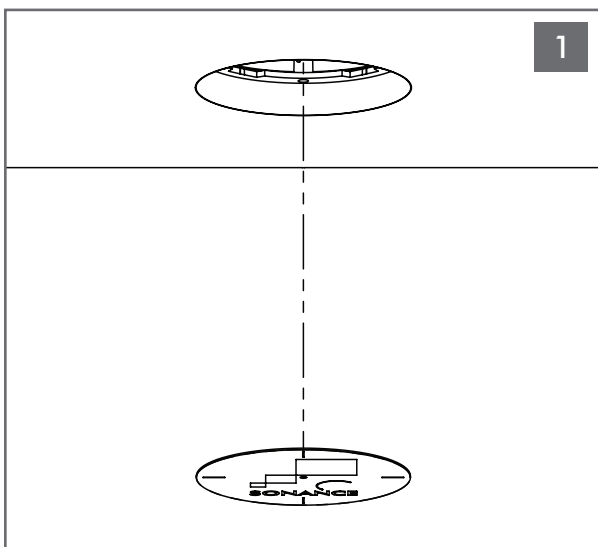
## QUICKSTART GUIDE



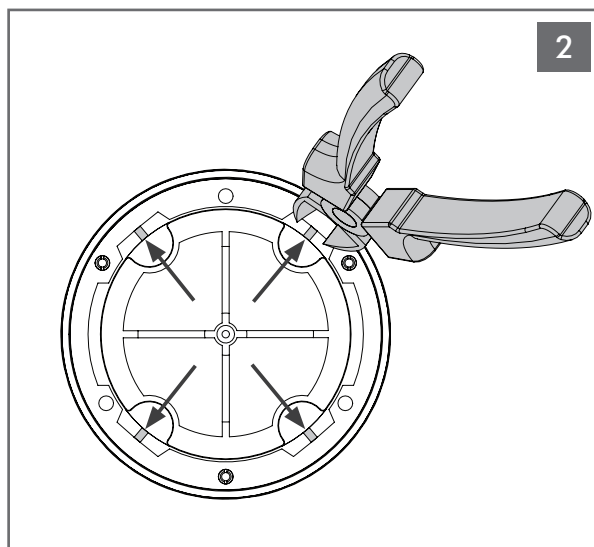
### Box Contents

- (1) Quickstart guide
- (1) AS speaker
- (1) Round grille

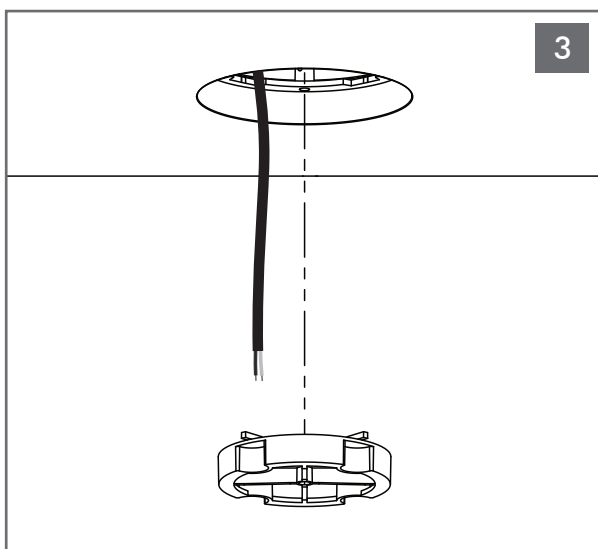
- (1) Square grille
- (1) Grille painting instructions
- (1) Set of speaker screws w/ Loctite®



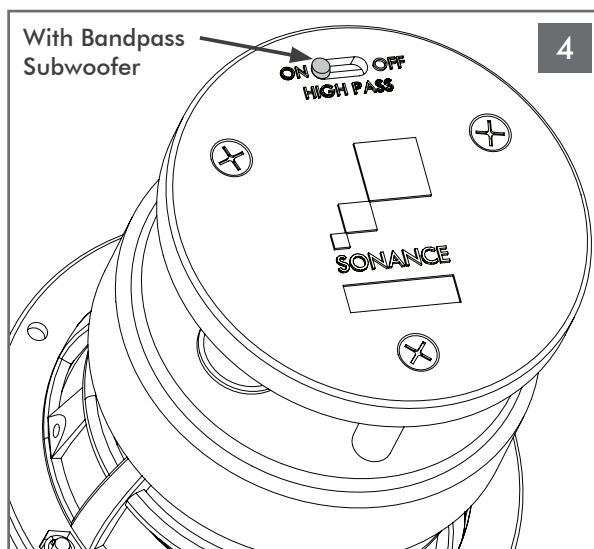
Remove the paint shield from the finished mounting platform.



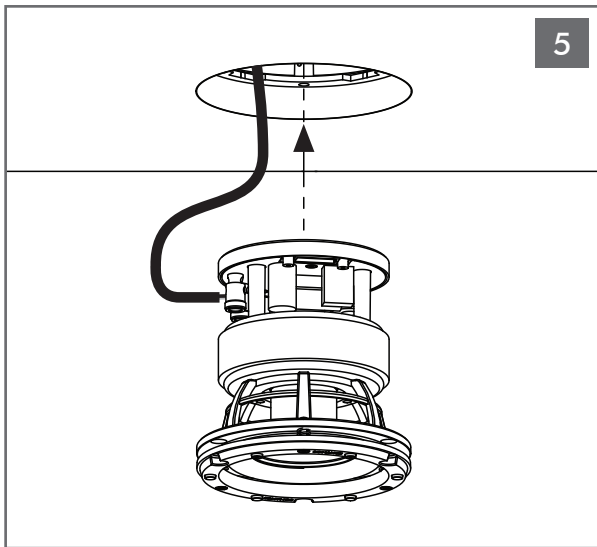
Cut the four tabs on the sanding shield support structure in the speaker bracket. **NOTE: The speaker wire is connected to the zip tie for easy access.**



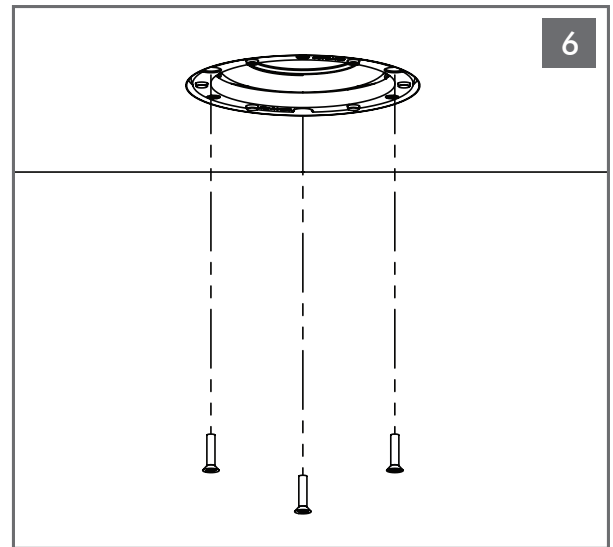
Remove sanding shield support. Remove zip tie from speaker wire.



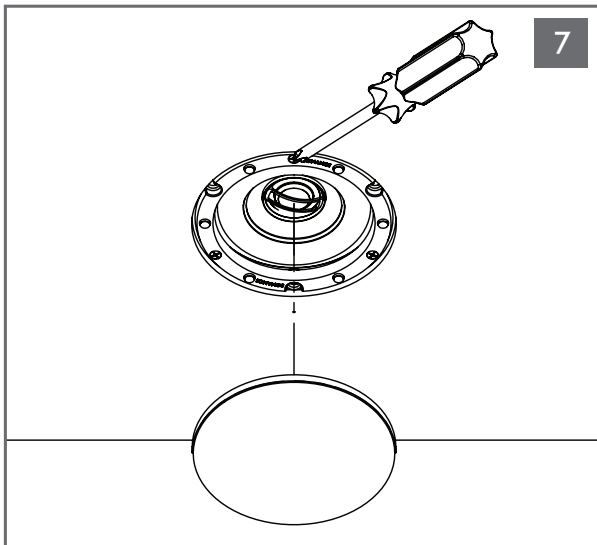
When using AS38RS/BPS6 or AS68RS/BPS8 System, switch to high pass ON. High pass switch is located on the back of the crossover cover. Switch high pass to OFF when choosing full range and no BPS6 or BPS8.



Connect the negative wire to the black spring terminal and the positive wire to the red spring terminal.



Apply Loctite® to screws and screw speaker to mounting platform.



The leveling ring is for fine adjustment. If necessary adjust the magnetic grille leveling ring with a screwdriver and install magnetic grille. See grille painting instructions.

For wiring diagrams and detailed eManual visit:  
[www.sonance.com/in-wall-in-ceiling/architectural-series/discreet-opening-system](http://www.sonance.com/in-wall-in-ceiling/architectural-series/discreet-opening-system)