



FMS860/FMS660/FMS530 FastMount® Outdoor Speakers

Recommended Installations:

- On walls, on poles, under eaves, indoor and outdoors

Recommended Applications:

- High-quality foreground and background music
- Paging
- Public address

Included Accessories:

- FastMount® bracket

Compatible Accessories:

- Omnimount 20.5-Series brackets (threaded inserts provided)

Architects and Engineers Specification:

The loudspeaker shall be of the two-way type comprising a single surface-mount enclosure containing one polypropylene low frequency transducer (FMS860: 8"; FMS660: 6½"; FMS530: 5¼") and one 1" (25mm) polyurethane dome high frequency transducer.

Frequency response shall be 45Hz – 20kHz (FMS860); 55Hz – 20kHz (FMS660); 65Hz – 20kHz (FMS530);. Total power handling shall be 125 watts (FMS860); 80 watts (FMS660); 70 watts (FMS530) program. Sensitivity measured with 2.83 volts input at 1 meter on-axis shall be 91dB (FMS860); 89dB (FMS660); 88dB (FMS530). The unit shall be supplied with a line matching transformer suitable for 100 volt or 70 volt operation with a front-mounted control allowing user-selectable power taps and an 8 ohm bypass.

The speaker shall include a FastMount bracket that allows for a full 180° of pivot while keeping the speaker less than 1" from the mounting surface.

Wire shall be terminated on the front of the enclosure and fed through a Protected Access Connection Terminal system. The enclosure and baffle shall be injection molded using polypropylene, in either black or white.

The loudspeaker shall be the Sound Advance FastMount FMS860B (black), FMS860W (white), FMS660B (black), FMS660W (white), FMS530B (black) or FMS530W (white), as described above. No other system shall be acceptable unless the above combined performance specifications are equaled or exceeded.

HIGH-QUALITY OUTDOOR SPEAKERS

The Sound Advance® FastMount® series consists of three extended-bandwidth loudspeakers that establish a new benchmark for ruggedness, weather-resistance, ease of installation and performance in commercial/professional outdoor



FMS660W shown

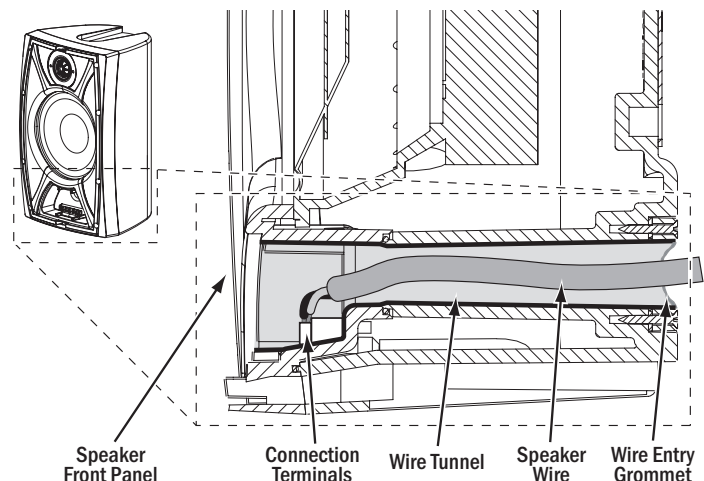
speakers. All FastMount models feature a polypropylene cone woofer (FMS860: 8"; FMS660: 6½"; FMS530: 5¼") and a 1" polyurethane dome tweeter that ensure superior-quality sound even in outdoor areas with minimal reflecting surfaces.

The exclusive patent-pending FastMount bracket allows these loudspeakers to easily snap and lock securely into place. Removal is performed via a hidden release tab located behind the speaker grille. These brackets make it easy for installers to mount FastMount loudspeakers as close as one inch to the mounting surface in a vertical or horizontal position, on a pole or across a corner. Once in place, FastMount loudspeakers can pivot 180 degrees and can be rotated by a regulated indexed position system that ensures consistent placement from one speaker to another for uniform appearance and accurate soundfield reproduction.

An equally valuable, all-new FastMount feature is a new Protected-Access Connection Terminal (PACT) that protects wire connectors from weather corrosion while making installation easier. PACT accepts input cabling via concealed, weatherproof, rubber-grommeted rear-panel ports and directs it to the front, baffle-side of each loudspeaker. Signal connections are made there, behind a sealed access panel, while the speaker is secure in its mounting bracket. This eliminates any risky acrobatics on ladders for installers.

FastMount speakers are transformer-coupled, with taps for both 70V and 100V operation and 8-ohm bypass. All FastMount models feature a rugged, paintable, weather-resistant polypropylene enclosure and a paintable perforated aluminum grille, and are available in black and white.

Protected Access Connection Terminal (PACT)



FMS860/FMS660/FMS530

FastMount® Outdoor Speakers

FMS860 Performance Specifications:

Tweeter:	1" (25mm) Polyurethane dome
Woofers:	8" (203mm) One-piece black Polypropylene cone with a rubber surround
Frequency Range:	45Hz – 20kHz ±3dB
Nominal Sensitivity:	91dB (2.83V/1meter)
Transformer Taps:	60W, 30W, 15W, 7.5W (70V); 60W, 30W, 15W (100V); 8 ohms
Power Handling:	5 watts minimum; 125 watts maximum
Enclosure Material:	Polypropylene (sealed)
Baffle Material:	Polypropylene
Grille:	Paintable weather-resistant aluminum
Input Termination:	4-Post barrier strip
Dimensions (H x W x D):	14" x 9" x 9 1/4" (356mm x 229mm x 235mm)
Shipping Weight:	35 lbs (15.87kg) pair
Available Colors:	Black (FMS860B); White (FMS860W)

FMS660 Performance Specifications:

Tweeter:	1" (25mm) Polyurethane dome
Woofers:	6 1/2" (165mm) One-piece black Polypropylene cone with a rubber surround
Frequency Range:	55Hz – 20kHz ±3dB
Nominal Sensitivity:	89dB (2.83V/1meter)
Transformer Taps:	60W, 30W, 15W, 7.5W (70V); 60W, 30W, 15W (100V); 8 ohms
Power Handling:	5 watts minimum; 80 watts maximum
Enclosure Material:	Polypropylene (sealed)
Baffle Material:	Polypropylene
Grille:	Paintable weather-resistant aluminum
Input Termination:	4-Post barrier strip
Dimensions (H x W x D):	12" x 7 1/2" x 7 1/8" (305mm x 191mm x 181mm)
Shipping Weight:	14 lbs (6.4kg) pair
Available Colors:	Black (FMS660B); White (FMS660W)

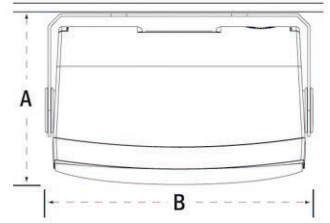
FMS530 Performance Specifications:

Tweeter:	1" (25mm) Polyurethane dome
Woofers:	5 1/4" (133mm) One-piece black Polypropylene cone with a rubber surround
Frequency Range:	65Hz – 20kHz ±3dB
Nominal Sensitivity:	88dB (2.83V/1meter)
Transformer Taps:	30W, 15W, 7.5W, 3.8W (70-Volt); 30W, 15W, 7.5W (100-Volt); 8 ohms
Power Handling:	5 watts minimum; 70 watts maximum
Enclosure Material:	Polypropylene (sealed)
Baffle Material:	Polypropylene
Grille:	Paintable weather-resistant aluminum
Input Termination:	4-Post barrier strip
Dimensions (H x W x D):	10 1/4" x 6 1/2" x 6" (260mm x 165mm x 153mm)
Shipping Weight:	26 lbs (11.79kg) pair
Available Colors:	Black (FMS530B); White (FMS530W)

INSTALLED DIMENSIONS:

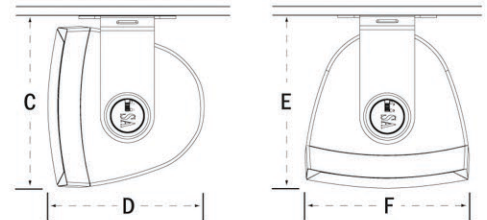
FMS860:

A: 10" (254mm)	FMS660:
B: 14 3/4" (375mm)	A: 9" (229mm)
C: 11" (279mm)	B: 13" (330mm)
D: 9 1/2" (241mm)	C: 8 3/4" (222mm)
E: 10" (254mm)	D: 7 1/2" (191mm)
F: 9" (229mm)	E: 9" (229mm)
	F: 7 3/4" (197mm)



FMS530:

A: 6 3/4" (171mm)
B: 11" (279mm)
C: 7" (179mm)
D: 6" (152mm)
E: 6 3/4" (171mm)
F: 6 1/2" (165mm)



Warranty:

Sound Advance® warrants the FMS860, FMS660 and FMS530 to be free of any defect in material or workmanship for a period of 5 years from the date of purchase. During the warranty period, Sound Advance will repair or replace (at its option) all such defects without charge for parts or labor, if returned prepaid to the proper Sound Advance service facility, together with the original sales receipt or other proof of purchase. The unit will be returned prepaid.



212 Avenida Fabricante
San Clemente, CA 92672
(800) 592-4644 • (949) 492-5449
FAX: (949) 361-5151

www.soundadvance.com