



The Leader in Architectural Audio™

PN.33-2650 03.03

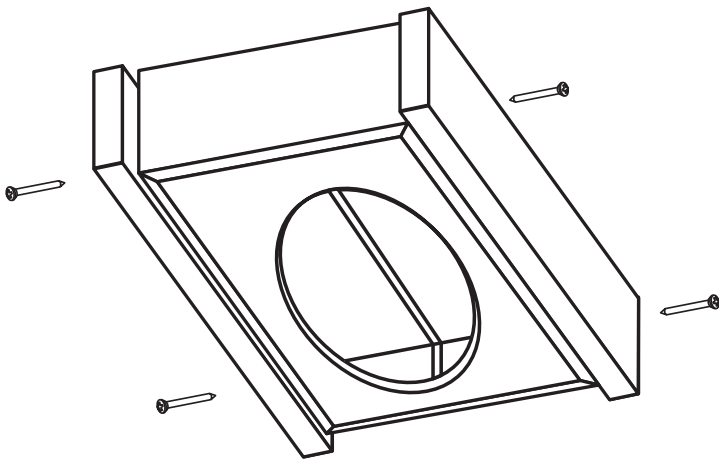
INTRODUCTION

This enclosure is specifically designed for use with the Ellipse Series of speakers

INSTALLATION INSTRUCTIONS

1. Determine the proper location for the speaker opening.
2. Attach the box to the joist bay using four wood screws.(Not Included)
3. Drill a quarter inch hole for the speaker wire.
4. Route the speaker wire into the enclosure through the hole you just drilled and tie a knot on the inside to secure it.
5. Seal the hole with the supplied mortite adhesive to make the box air tight.

DIMENSIONS: 14" x 15-1/4" x 6" (W X H X D)



ACOUSTIC ENCLOSURE INSTALLATION INSTRUCTIONS

SONANCE ELLIPSE SPEAKER SYSTEM

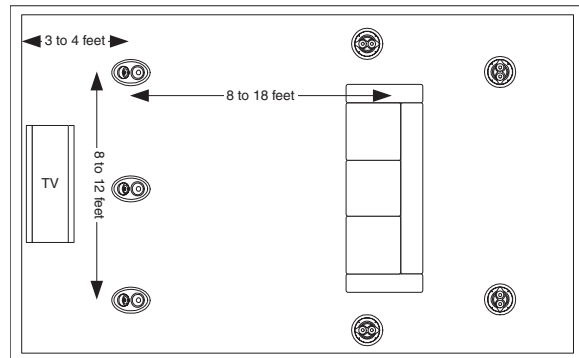
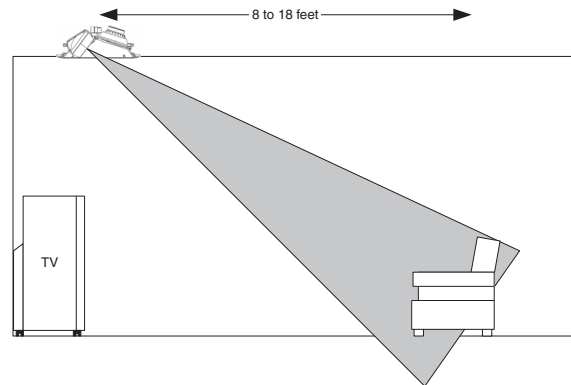
RECOMMENDED PLACEMENT

Proper placement of the Ellipse is critical for maximum performance. Try to apply as many of the following recommendations in your installation.

The speakers should be located from eight to eighteen feet from the listener. The minimum recommended spacing from speaker to listening position would be approximately 6 feet in a room with eight foot ceilings. The height and size of the television will largely determine this distance. Keep in mind that if the television is placed at eye level and the speakers are installed less than six feet in front of the listening position the picture and sound could seem very disconnected.

If possible the speakers should be located a minimum of three to four feet from the front wall this is the wall the television is on.

The left and right speakers should be separated approximately eight to twelve feet apart with the center speaker placed as close to the middle as possible.



Left Center Right Speaker Placement