



Sonance Flex Bracket Installation Instructions

Introduction

The Sonance Flex Bracket is installed during construction and serves as a guide for the drywall installer when cutting openings. The Flex Bracket can be nailed, screwed or stapled to studs or joists in the desired location for the speaker. Once the drywall is cut, the speaker is clamped to the wall or ceiling using its RotoLock® clamps (the Flex Bracket does not need to be removed).

This manual covers all Flex Brackets for Sonance Virtuoso® D- and DR-series and Sonance Symphony® T- and TR-series speakers.

Box Contents

Your Sonance Flex Bracket box should contain the following items:

- (10) Sonance Flex Bracket frames
- (20) Flex Bracket wings
- (40) Flex Bracket wing locks

NOTE: Wing locks for all rectangular and square Flex Brackets are RED; wing locks for Sonance Virtuoso DR Flex Brackets are GREEN; wing locks for Sonance Symphony TR Flex Brackets are YELLOW.

Installation

1. Hold the Flex Bracket frame with the "This Side Out" legends facing towards you.
2. Insert the wings into rectangular and square Flex Bracket frames at the corner entry points (see *Figure 1*); insert the wings into round Flex Bracket frames at the single entry point marked with the arrow (see *Figure 2*).
- Once they are attached to the Flex Bracket frame, the Flex Bracket wings can be positioned anywhere around the frame (see *Figure 3*).

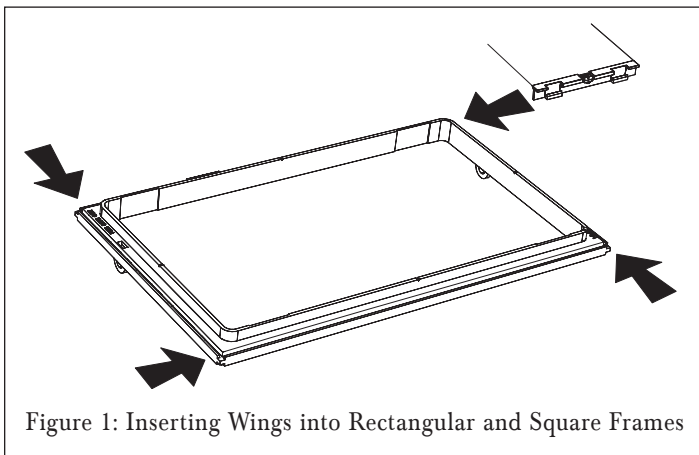


Figure 1: Inserting Wings into Rectangular and Square Frames

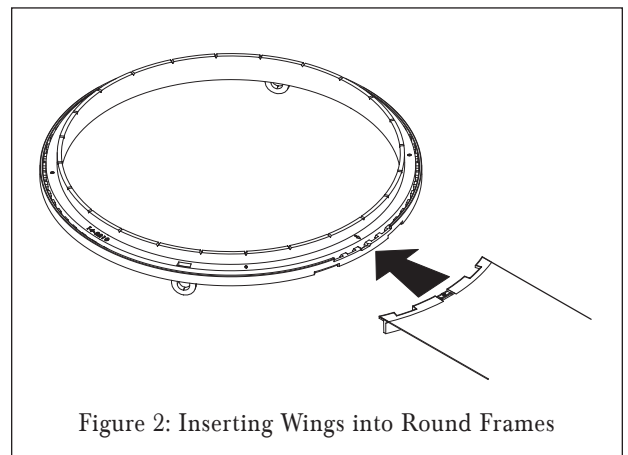


Figure 2: Inserting Wings into Round Frames

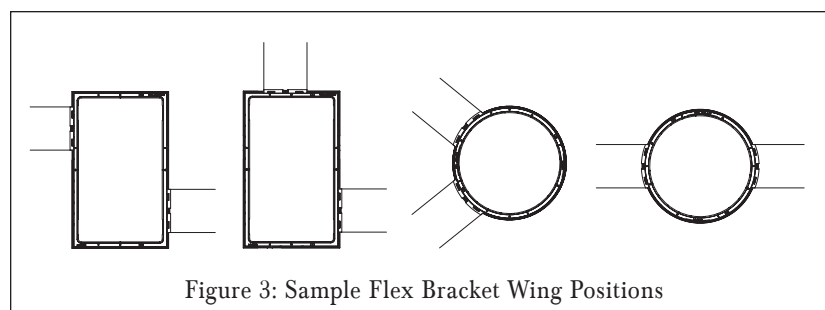


Figure 3: Sample Flex Bracket Wing Positions

Sonance Flex Bracket Installation Instructions



3. Once the wings are in the desired positions on the frame, you can hold them in position by placing wing locks on either side of it. The locks snap into place in the channel on either side of the wing (see *Figure 4*). This will prevent the Flex Bracket frame from moving out of position after the Flex Bracket wings are fastened to the wall studs or ceiling joists in the mounting location.

- Locks for all rectangular and square Flex Brackets are RED
- Locks for Sonance Virtuoso DR Flex Brackets are GREEN
- Locks for Sonance Symphony TR Flex Brackets are YELLOW

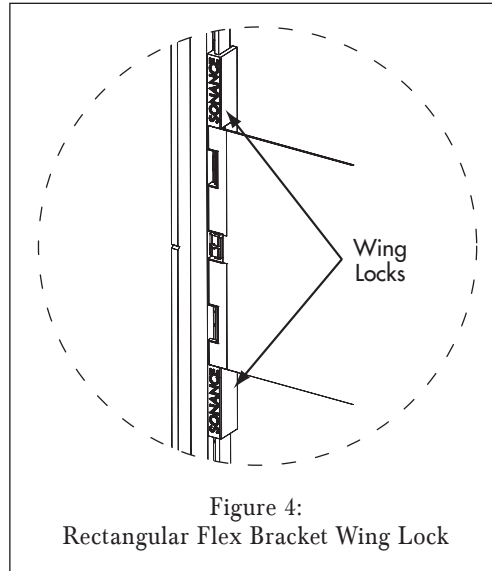


Figure 4:
Rectangular Flex Bracket Wing Lock

4. Position the Flex Bracket in the desired location against the wall studs or ceiling joists, with the "This Side Out" legends facing outward. The speaker will be slightly adjustable within the hole (about $\frac{1}{8}$ " in all directions).

5. For rectangular and square Flex Brackets, use the 4 centering marks on the frame to line it up properly, then use a square or level to set the permanent location.

6. Attach the Flex Bracket wings to the studs or joists using screws, nails or staples that are at least $\frac{1}{2}$ " long. Use at least 2 fasteners per wing.

7. Feed the speaker wire through one of the Flex Bracket's two wire loops. This will keep the wire readily accessible to speaker installation personnel after the drywall is installed. (See *Figure 6*.)

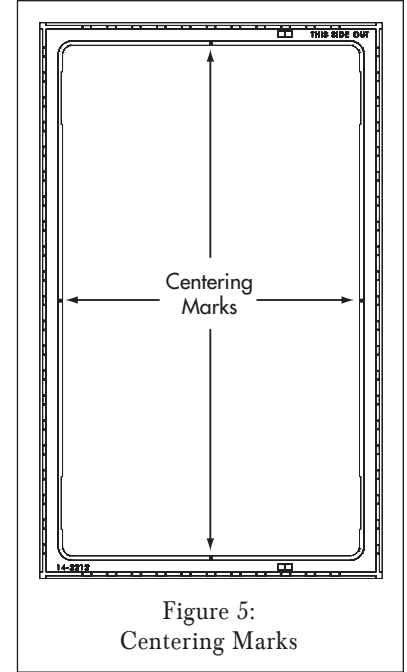


Figure 5:
Centering Marks

Removing the Flex Bracket Wings

Rectangular and Square Flex Brackets:

- Remove the wing locks and slide the wings out of the bracket channel at the corner entry points.

Round Flex Brackets:

- Remove the wing locks, position the wing at the entry point in the bracket channel with its arrow facing the arrow in the channel and pull the bracket out of the channel.

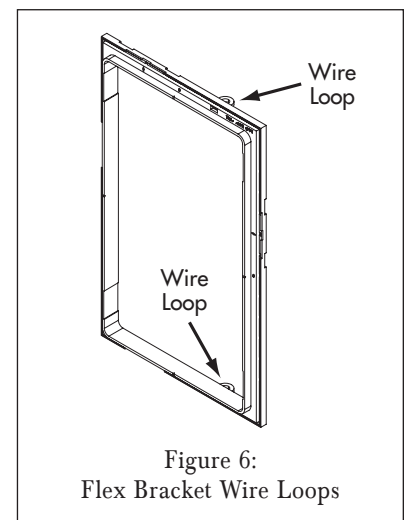


Figure 6:
Flex Bracket Wire Loops

Sonance Flex Bracket Installation Instructions



Technical Assistance and Service

If you have any questions about the operation or installation of this product, please call our Technical Assistance Department on any business day at (800) 582-0772 or (949) 492-7777; from 7 a.m. to 5 p.m., PST.

If your Sonance product should need repair or service, contact your Sonance Authorized Dealer for help, or use the following procedure:

1. Prior to calling, note the product's model number, serial number, purchase date, and the name and address of the dealer where you purchased the product.
2. Contact our Technical Assistance Department at the above number(s) and describe the problem the unit is experiencing. If applicable, they will issue a Return Authorization Number.

IMPORTANT: YOU MUST HAVE PRIOR AUTHORIZATION TO RETURN YOUR PRODUCT TO SONANCE!

3. If you're directed to return the unit to Sonance for repair, pack the unit in its original shipping carton. If needed, you can obtain replacement packaging from us for a small charge. Note: it is best if you place the box into an additional outer "overcarton" before shipment to minimize the chance of theft in shipment. Please include a copy of the original bill of sale inside the package.
4. Contact a package delivery company such as United Parcel Service or Federal Express to arrange prepaid (not collect) shipping. Do not use the U.S. Postal Service.

IMPORTANT: Freight collect shipments will be refused.

5. Write the Return Authorization Number on the outside of the shipping carton.

6. Ship the packaged unit to:

*Quality Assurance Department
Sonance
212 Avenida Fabricante
San Clemente, CA 92672-7531*

Limited Lifetime Warranty Coverage (U.S. Only)

Sonance warrants to the original retail purchaser only that this Sonance product will be free from defects in materials and workmanship, provided the product was purchased from a Sonance Authorized Dealer.

Defective products must be shipped, together with proof of purchase, prepaid insured to the Authorized Sonance Dealer from whom they were purchased, or to the Sonance factory at the address listed on this instruction manual. Freight collect shipments will be refused. It is preferable to ship this product in the original shipping container to lessen the chance of transit damage. In any case, the risk or loss or damage in transit is to be borne by the purchaser. If upon examination at the factory or Authorized Sonance Dealer it is determined that the unit was defective in materials or workmanship at any time during this warranty period, Sonance or the Authorized Sonance Dealer will, at its option, repair or replace this product at no additional charge, except as set forth below. If this model is no longer available and can not be repaired effectively, Sonance, at its sole option, may replace the unit with a current model of equal or greater value. In some cases where a new model is substituted, a modification to the mounting surface may be required. If mounting surface modification is required, Sonance assumes no responsibility or liability for such modification. All replaced parts and product become the property of Sonance. Products replaced or repaired under this warranty will be returned to the original retail purchaser, within a reasonable time, freight prepaid.

(continued on back)

(continued from page previous page)

This Warranty does not include service or parts to repair damage caused by accident, disaster, misuse, abuse, negligence, inadequate packing or shipping procedures, commercial use, voltage inputs in excess of the rated maximum of the unit, or service, repair or modification of the product which has not been authorized or approved by Sonance. This Warranty also excludes normal cosmetic deterioration caused by environmental conditions. This Warranty will be void if the Serial Number on the product has been removed, tampered-with or defaced. This Warranty is in lieu of all other expressed warranties. If the product is defective in materials or workmanship as warranted above, the purchaser's sole remedy shall be repair or replacement as provided above. In no event will Sonance be liable for any incidental or consequential damages arising out of the use or inability to use the product, even if Sonance or an Authorized Sonance Dealer has been advised of the possibility of such damages, or for any claim by any other party.

Some states do not allow the exclusion or limitation of consequential damages, so the above limitation and exclusion may not apply. All implied warranties on the product are limited to the duration of this expressed Warranty. Some states do not allow limitation on the length of an implied warranty. If the original retail purchaser resides in such a state, this limitation does not apply.

Exclusions and Limitations

The warranty set forth above is in lieu of all other warranties, express or implied, of merchantability, fitness for a particular purpose, or otherwise. The warranty is limited to Sonance products registered herein and specifically excludes any damage to loudspeakers and other allied or associated equipment which may result for any reason from use with this product. Sonance shall, in no event, be liable for incidental or consequential damages arising from any breach of this warranty or otherwise. This warranty gives you specific legal rights, and you may have other rights which vary from state to state.



©2007 Sonance. All rights reserved. Sonance, Sonance Virtuoso, Sonance Symphony and RotoLock are registered trademarks of Dana Innovations.

Due to continuous product improvement, all features and specifications are subject to change without notice.
For the latest Sonance product specification information visit: www.sonance.com

SONANCE • 212 Avenida Fabricante • San Clemente, CA 92672-7531 USA •
(800) 582-7777 or (949) 492-7777 • FAX: (949) 361-5151 • Technical Support: (800) 582-0772

www.sonance.com