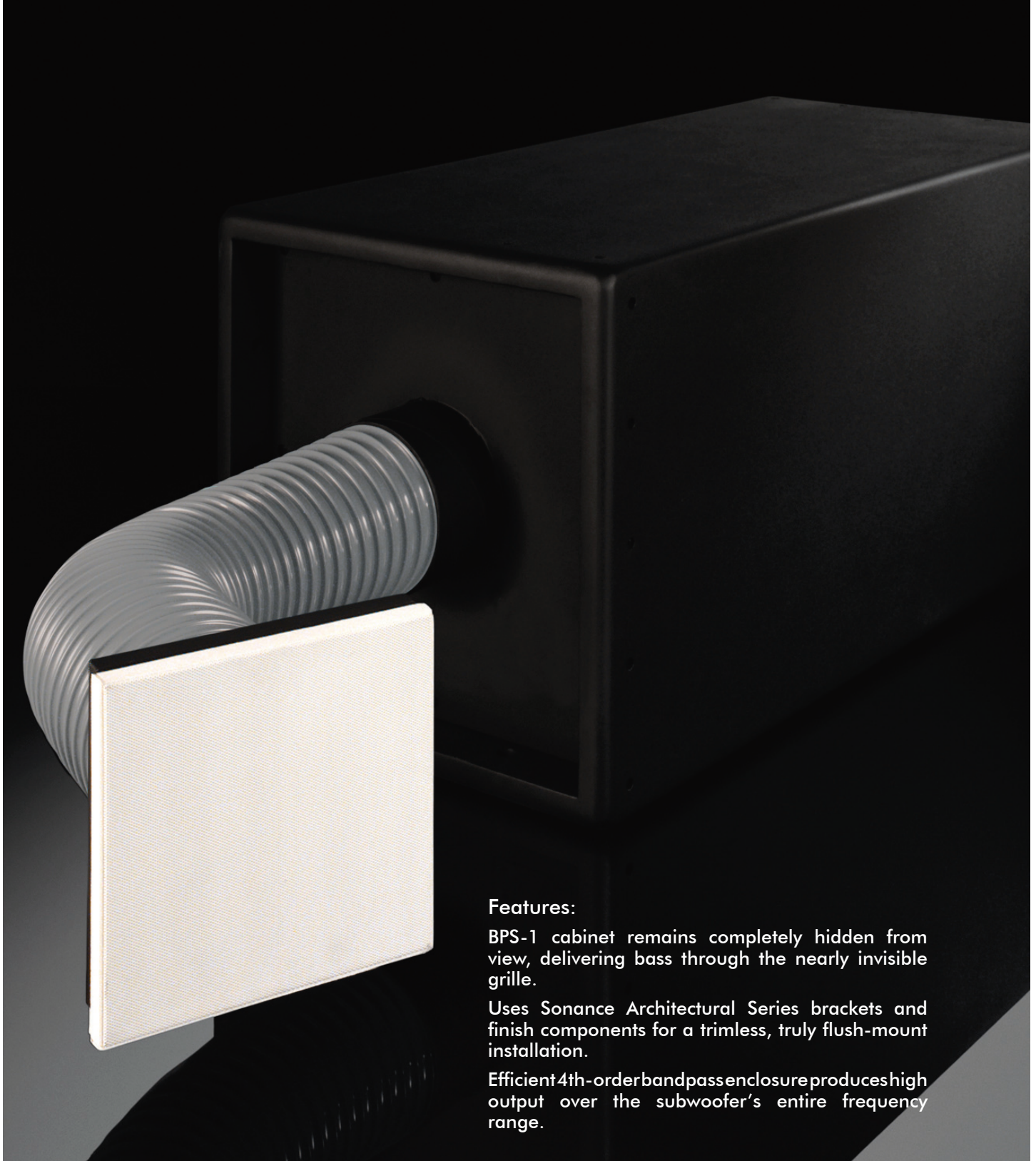


SONANCE

BPS-1 BANDPASS SUBWOOFER



Features:

BPS-1 cabinet remains completely hidden from view, delivering bass through the nearly invisible grille.

Uses Sonance Architectural Series brackets and finish components for a trimless, truly flush-mount installation.

Efficient 4th-order bandpass enclosure produces high output over the subwoofer's entire frequency range.

BPS-1 BANDPASS SUBWOOFER



SONANCE BPS-1 BANDPASS SUBWOOFER

The Sonance Architectural Series® **BPS-1 Bandpass Subwoofer** system will add deep, powerful bass impact to any audio system. The **BPS-1** cabinet remains completely hidden from view, delivering its bass energy through Sonance Architectural Series brackets and an architectural finish component that is a discreet complement to the surrounding architectural space.

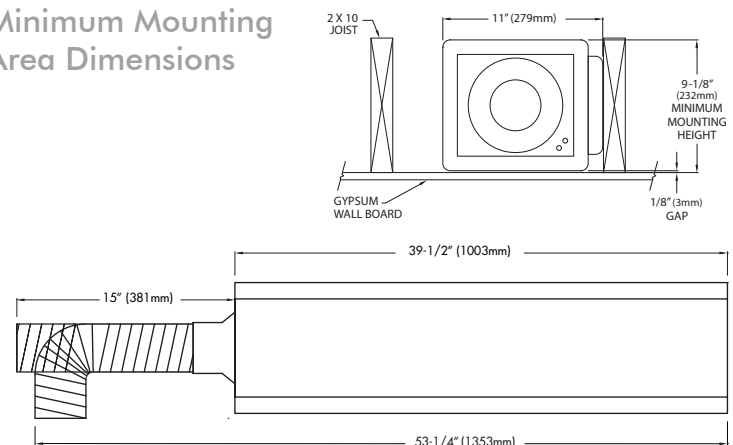
Features

- Delivers powerful, room-filling bass through a small grille that complements the room's architectural design.
- Trimless and truly flush-mount installation — the plane of the subwoofer grille is perfectly aligned with the plane of the ceiling.
- Required Bandpass Connectors allow the **BPS-1** to be used with any size round or square Architectural Series bracket to match other Architectural Series speakers in the space. The Bandpass Connectors are heavily flared to minimize port noise during high-volume passages.
- Engineered to provide years of reliable high-power operation, the **BPS-1** features a woofer with a felted paper cone with a rubber surround. The required Sonamp® A150 is designed to protect the speaker from damage. This ensures the **BPS-1** can be installed in a location that will have limited or no access without the need for maintenance.
- The very efficient 4th-order bandpass enclosure produces high output over the subwoofer's entire frequency range.
- The **BPS-1** can be used with any separately-available Architectural Series round and square finish component: metal (with or without trim) or cloth (with or without trim).

BPS-1 Specifications

Woofer:	8" (203mm) long-throw felted paper cone with a rubber surround
Frequency Response:	35Hz – 150Hz ±3dB
Enclosure Dimensions: (W x H x D)	9" x 11" x 39½" (229mm x 279mm x 1283mm)
Port Tube Length:	15" (381mm)
Minimum Mounting Area: (W x H x D)	9⅛" x 11" x 53¼" (232mm x 279mm x 1352mm)
Shipping Weight:	46 lbs (20.9kg) each

Minimum Mounting Area Dimensions



SONAMP A150 AMPLIFIER (required, available separately)

- **Sonamp A150** power amplifier delivers 150 watts of power to up to two **BPS-1** subwoofers and provides flexible connections that integrate the **BPS-1** into any audio system.
- A built-in limiter prevents overdriving the **BPS-1**'s woofer driver, even when using a single **Sonamp A150** to drive two **BPS-1** subwoofer cabinets.
- The **A150**'s front-panel amplifier controls (volume, crossover frequency, and phase) let you fine-tune the **BPS-1**'s performance to match a variety of listening environments and personal preferences.

Sonamp A150 Specifications

Maximum Continuous RMS Power at Clipping:	90 watts	Line Level Out Hi-Pass Filter: Controls:	-3dB @ 150Hz, 6dB/octave Variable crossover frequency, variable output level, Phase switch, Bypass switch
Power Output (Program):	150 watts	Power Consumption:	13w (idle); 160w (max power)
Signal-to-Noise Ratio:	-95dB	Dimensions (W x H x D):	16¾" x 4" x 13½" (425mm x 102mm x 343mm)
Auto-On Trigger Sensitivity:	10mV	Shipping Weight:	20 lbs (9.1kg) each
Low-Pass Crossover Frequency: (Bypass Switch OFF)	40Hz ~ 150Hz (variable), 12dB/octave		
Low-Pass Crossover Frequency: (Bypass Switch ON)	150Hz (fixed), 12dB/octave		
Hi Level Out Hi-Pass Filter:	-3dB @ 200Hz, 6dB/octave		

Sonance
212 Avenida Fabricante
San Clemente, CA 92672-7531 USA
1.800.582.7777
sonance.com

©2008 Sonance, All Rights Reserved. Sonance, Sonance Architectural Series, and Sonamp are registered trademarks of Dana Innovations. Due to continuous product improvement, all features and specifications are subject to change without notice. For the latest Sonance product information, go to : www.sonance.com