



SONANCE SM55 SURFACE-MOUNT SPEAKER  
WITH GRILLE (LEFT); WITHOUT GRILLE (RIGHT)



## Sonance SM55 and SM55 SST Surface-Mount Speaker

The new Sonance SM55 and SM55 SST surface-mount speakers are the perfect solution for those who demand quality sound but cannot use flush-mount in-ceiling speakers.

The clever mounting system allows the SM55 and SM55 SST to be installed in a matter of minutes, using only a screwdriver. A mounting plate receives the speaker connections from the amplifier, and then attaches to a standard in-ceiling J-box via two screws. As the installer places the SM55's or SM55 SST's bottom surface against the mounting plate, six powerful neodymium magnets on the SM55's or SM55 SST's bottom surface securely attach it to the mounting plate — that's all there is to it. Once installed, the installer can rotate the speaker to align it with other features of the room's decor.

A new coaxial woofer/tweeter driver featuring a 5¼" carbon fiber cone woofer and a 1" silk dome tweeter guarantees high-quality reproduction of music and

voices. The driver's coaxial design reduces tonal colorations and improves stereo imaging, providing excellent sound quality.

The SM55 and SM55 SST enclosures have a low-profile domed shape, ensuring that the speaker's sound covers as wide an area as possible. The enclosure is fabricated from a dense polypropylene material that absorbs vibrations, reducing resonances and improving sonic clarity. The perforated aluminum grille and its ABS support frame (which completely cover the speaker) can be painted to match the decor in a one-step process that saves time compared to traditional flanged speakers.

Sonance's exclusive Single Stereo Technology® (SST) in the SM55 SST combines the left and right stereo channels into a single in-wall speaker. Ideal for kitchens, hallways, bathrooms, or wherever the listener will be moving about and a pair of stereo speakers would be impractical.

### Features:

- **Low-profile on-ceiling design** is ideal for installations that cannot accommodate flush-mount in-ceiling speakers.
- **Extremely simple installation:** Connect the mounting plate to speaker wire and screw the mounting plate to the J-box. The speaker attaches to the mounting plate via powerful neodymium magnets.
- **The rotating mounting plate** allows the SM55 to be aligned with lighting fixtures or other decor features after installation.
- **A new coaxial woofer/tweeter** produces smoother frequency response, improves stereo imaging and reduces tonal variations caused by less-than-ideal placement.
- **The dome-shaped speaker baffle surface** ensures a wide coverage area.
- **The dense polypropylene enclosure** absorbs vibrations, for uncolored sound.
- **The perforated aluminum grille and its ABS plastic frame** are paintable in one easy step to match the decor.

### Specifications:

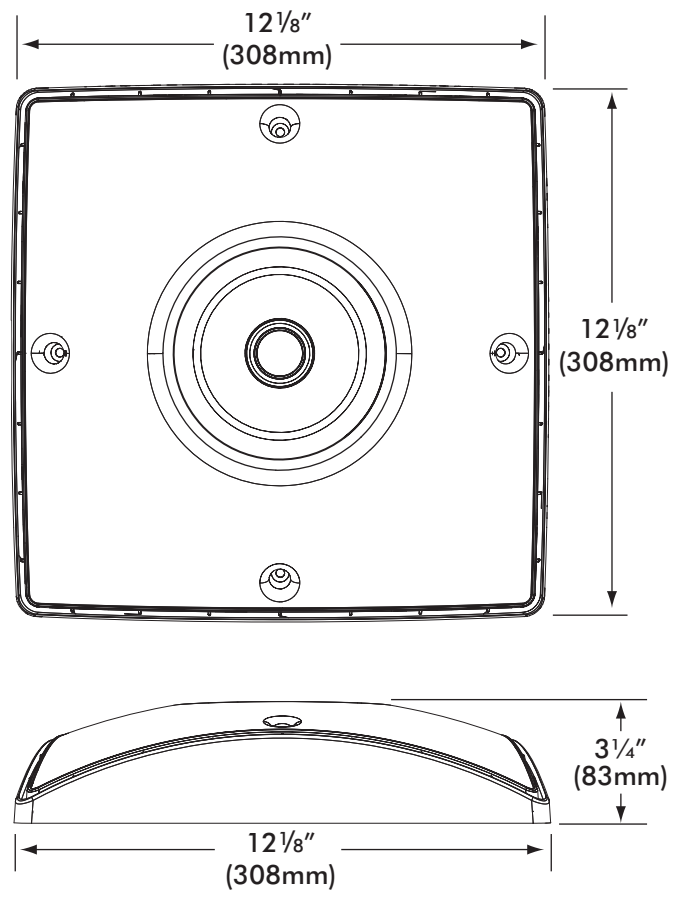
#### SM55 and SM55 SST

Tweeter:	1" (25mm) silk dome, ferrofluid-cooled (SM55)
	Two 1" (25mm) silk dome, ferrofluid-cooled (SM55 SST)
Woofer:	5¼" (133mm) carbon fiber cone, with a rubber surround
Frequency Response:	65Hz – 20kHz ±3dB
Impedance:	8 ohms nominal; 6 ohms minimum
Power Handling:	5 watts minimum; 60 watts maximum
Sensitivity:	88dB SPL (2.83V/1 meter)
Grille Material:	Perforated aluminum
Dimensions (W x H x D):	12½" x 12½" x 3¼" (308mm x 308mm x 83mm)
Shipping Weight:	9 lbs (4.1kg) pair (SM55) 5 lbs (2.3kg) each (SM55 SST)

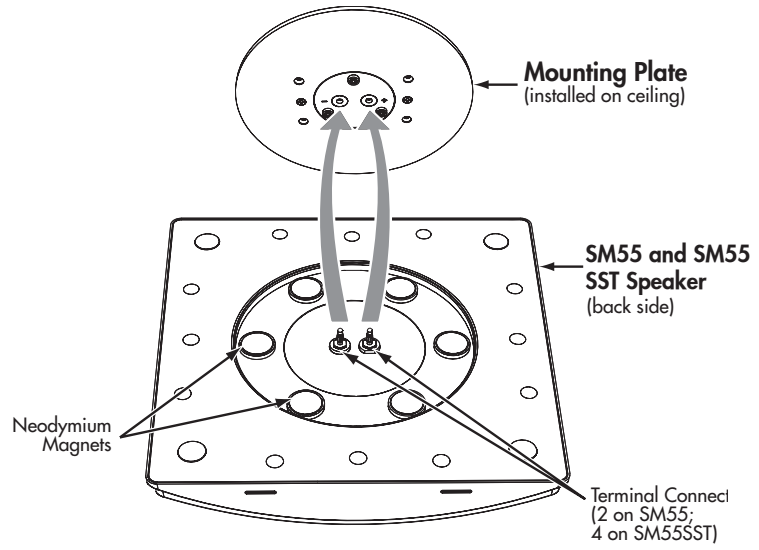


# Sonance SM55 and SM55 SST Surface-Mount Speaker

## Dimensions:



## Installation Example:





### LIMITED FIVE (5) YEAR WARRANTY

Sonance warrants to the first end-user purchaser that this Sonance-brand product ("Product"), when purchased from an authorized Sonance Dealer/Distributor, will be free from defective workmanship and materials for the period stated below. Sonance will at its option and expense during the warranty period, either repair the defect or replace the Product with a new or remanufactured Product or a reasonable equivalent.

### EXCLUSIONS

TO THE EXTENT PERMITTED BY LAW, THE WARRANTY SET FORTH ABOVE IS IN LIEU OF, AND EXCLUSIVE OF, ALL OTHER WARRANTIES, EXPRESS OR IMPLIED, AND IS THE SOLE AND EXCLUSIVE WARRANTY PROVIDED BY SONANCE. ALL OTHER EXPRESS AND IMPLIED WARRANTIES, INCLUDING THE IMPLIED WARRANTIES OF MERCHANTABILITY, IMPLIED WARRANTY OF FITNESS FOR USE, AND IMPLIED WARRANTY OF FITNESS FOR A PARTICULAR PURPOSE ARE SPECIFICALLY EXCLUDED. No one is authorized to make or modify any warranties on behalf of Sonance.

The warranty stated above is the sole and exclusive remedy and Sonance's performance shall constitute full and final satisfaction of all obligations, liabilities and claims with respect to the Product. IN ANY EVENT, SONANCE SHALL NOT BE LIABLE FOR CONSEQUENTIAL, INCIDENTAL, ECONOMIC, PROPERTY, BODILY INJURY, OR PERSONAL INJURY DAMAGES ARISING FROM THE PRODUCT, ANY BREACH OF THIS WARRANTY OR OTHERWISE.

This warranty statement gives you specific legal rights, and you may have other rights which vary from state to state. Some states do not allow the exclusion of implied warranties or limitations of remedies, so the above exclusions and limitations may not apply. If your state does not allow disclaimer of implied warranties, the duration of such implied warranties is limited to period of Sonance's express warranty.

**Your Product Model and Description:** Sonance SM55 and SM55 SST Surface-Mount Speakers.

**Warranty Period for this Product:** Five (5) years from the date on the original sales receipt or invoice or other satisfactory proof of purchase.

**Additional Limitations and Exclusions from Warranty Coverage:** The warranty described above is non-transferable, applies only to the initial installation of the Product, does not include installation of any repaired or replaced Product, does not include damage to allied or associated equipment which may result for any reason from use with this Product, and does not include labor or parts caused by accident, disaster, negligence, improper installation, misuse (e.g. overdriving the amplifier or speaker, excessive heat or cold or humidity, outdoor installation), or from service or repair which has not been authorized by Sonance.

**Obtaining Authorized Service:** To qualify for the warranty, you must (1) contact your authorized Sonance Dealer/Installer or call Sonance Customer Service at (800) 582-0772 within the warranty period, (2) obtain a return merchandise number (RMA), and (3) deliver the Product to Sonance shipping prepaid during the warranty period, together with the original sales receipt, invoice or other satisfactory proof of purchase.

## SONANCE®

212 Avenida Fabricante

San Clemente, CA 92672-7531 USA

(800) 582-7777 or (949) 492-7777

FAX: (949) 361-5151

Technical Support: (800) 582-0772

WWW.SONANCE.COM

©2009 Sonance, All Rights Reserved. Sonance and Single Stereo Technology are registered trademarks of Dana Innovations.

Due to continuous product improvement, all features and specifications are subject to change without notice.

For the latest Sonance product information, go to:

[www.sonance.com](http://www.sonance.com)