

INSTRUCTION MANUAL

SM55 AND SM55 SST SURFACE-MOUNT SPEAKERS



Introduction

Thank you for purchasing Sonance Surface-Mount Speakers. When properly installed your new speakers will give you years of entertainment pleasure. This manual covers the SM55 and SM55 SST (Single-Stereo Technology®) speakers.

Box Contents

Item	Quantity (SM55)	Quantity (SM55 SST)
Surface Mount Speaker	2	1
Paintable Grille	2	1
Speaker Terminal Screws	4	4

Speaker Placement

Distributed Audio (SM55 and SM55 SST)

The SM55 and SM55 SST's low installation profile makes them ideal for use in distributed audio systems. They provide coverage of a very wide listener area, allowing them to be mounted in a wide variety of installation locations.

Because a single SM55 SST speaker reproduces both stereo channels from a single location, it will deliver outstanding performance from a wide variety of mounting locations where a pair of stereo speakers would be impractical, including hallways, bathrooms and closets.

The table and illustration below show how far apart the speakers can be placed at various ceiling heights while still providing good coverage for all listeners.

Ceiling Height	Spacing (Standing)	Spacing (Seated)
9-Foot Ceiling	5'7"	9'5"
10-Foot Ceiling	9'7"	13'5"
12-Foot Ceiling	13'7"	17'5"
14-Foot Ceiling	17.7'	21.5'

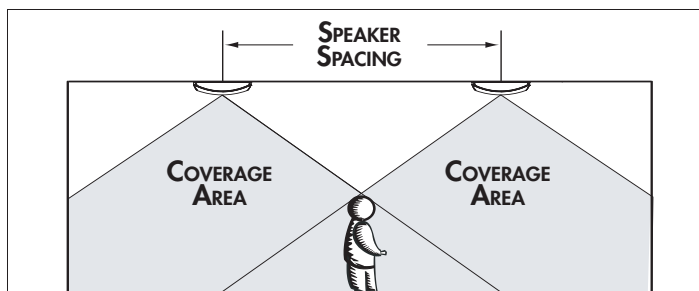


FIGURE 1: DISTRIBUTED AUDIO COVERAGE AREA

Surround Channel (SM55)

The SM55's low-profile design and wide area coverage also make it an excellent choice for surround channel applications in home theater systems.

5.1-Channel System (see Figure 2)

- Locate the left and right surround speakers on the ceiling between 2 feet and 6 feet behind the listening position. The speakers should be between 6 feet and 10 feet apart.

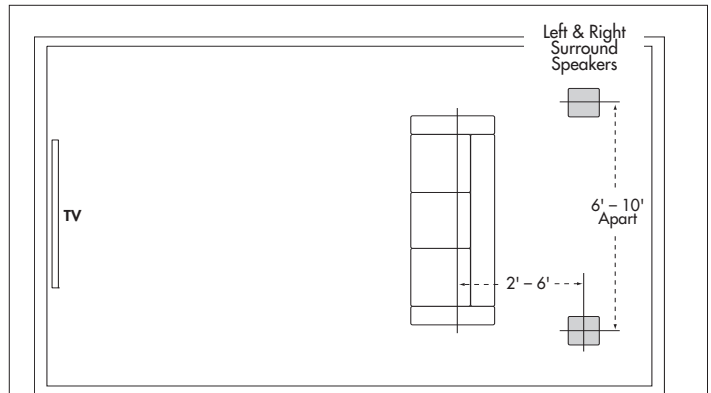


FIGURE 2: 5.1-CHANNEL SURROUND CHANNEL SPEAKER PLACEMENT

7.1-Channel System (see Figure 3)

- **Left & Right Surround Speakers:** Place the left and right surround speakers directly to the sides of the listening position, between 6 feet and 10 feet apart.
- **Surround Back Speakers:** Place the surround back speakers between 2 feet and 6 feet behind the listening position. The surround back speakers should be closer together than the left and right surround speakers — between 3 feet and 6 feet apart.

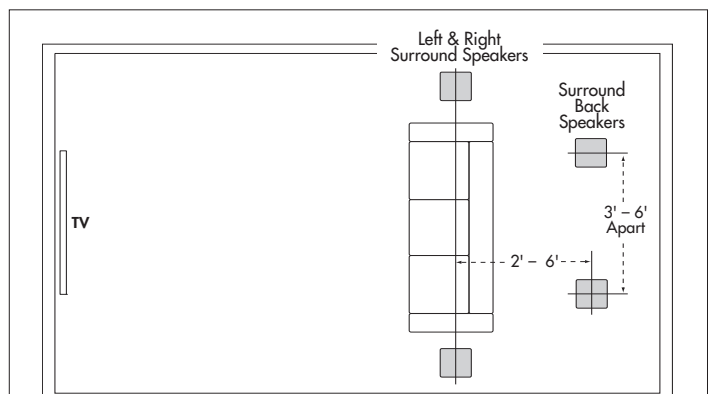


FIGURE 3: 7.1-CHANNEL SURROUND CHANNEL SPEAKER PLACEMENT

Before Installation

1. Determine the location for the speaker (see *Speaker Placement*).
2. The SM55 and SM55 SST Mounting Plates (available separately) are designed to install onto a J-box (single or double) that has already been mounted in the ceiling.

SONANCE SM55 & SM55 SST SURFACE-MOUNT SPEAKERS

- The Mounting Plate allows the speaker to be installed after the ceiling has been finished. The Mounting Plate also allows the speaker to be rotated after installation to align it with design elements in room.

3. If there is no J-box in the ceiling, the speaker can be mounted directly on the ceiling surface without using the Mounting Plate.

IMPORTANT: Anchors and attachments appropriate for the ceiling construction must be used if the Mounting Plate is not used. It is the responsibility of the installer to select anchor and attachment devices appropriate for the ceiling construction.

NOTE: IF THE SPEAKER IS INSTALLED WITHOUT THE MOUNTING PLATE IT CANNOT BE ROTATED AFTER INSTALLATION.

Installation Using a J-Box

1. Run speaker wires through the ceiling or conduit, from the amplifier into the J-Box. Mark the wire's "+" and "-" leads.

- Consult local building codes before running speaker wires through ceilings.

2. Bring the speaker wires through the J-Box and attach them to the binding posts on the back of the Mounting Plate. (The SM55 plate has one set of posts; the SM55 SST plate has two sets, see Figure 4.) The binding posts will accept single banana plugs or bare wire.

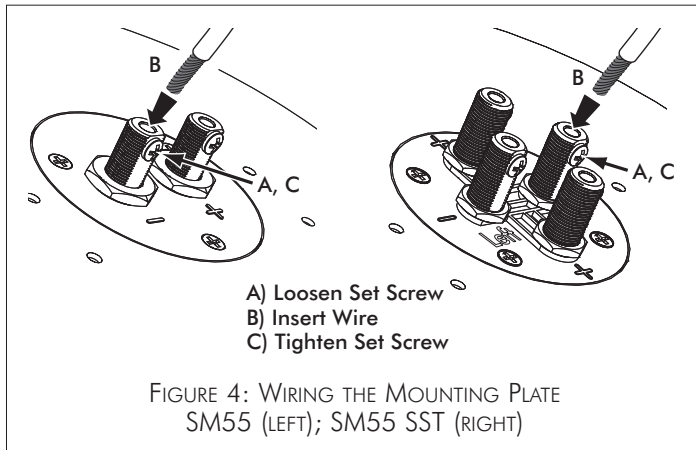


FIGURE 4: WIRING THE MOUNTING PLATE
SM55 (LEFT); SM55 SST (RIGHT)

- Loosen the set screw on the binding post, insert the plug or wire, then tighten the set screw to secure the wire.

IMPORTANT: When using bare wire, be sure that no stray "+" and "-" strands touch each other. (Stray strands that touch each other can cause a short-circuit that can damage the amplifier.)

3. Use the 1½" x 6-32 flat head screws included with the Mounting Plate to attach it to the J-Box. (See Figure 5.)

- Use two screws for a single-gang J-Box; use four screws for a double-gang J-Box.

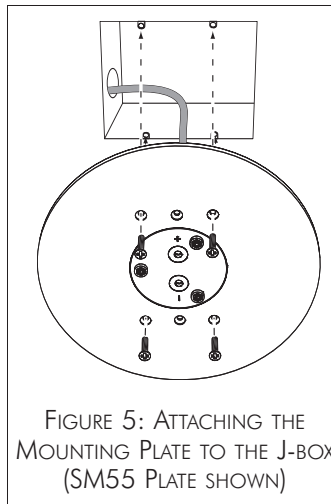


FIGURE 5: ATTACHING THE MOUNTING PLATE TO THE J-BOX
(SM55 PLATE SHOWN)

4. The Mounting Plate is fitted with a paint plug that protects the speaker terminals if the ceiling is painted after the Plate is installed. Remove the paint plug before installing the speaker.
5. To install the speaker, place the speaker against the Mounting Plate so that the male terminal connectors on the speaker fit into the female connectors on the Mounting Plate. The neodymium magnets on the speaker will secure the speaker to the Mounting Plate. (See Figure 6.)

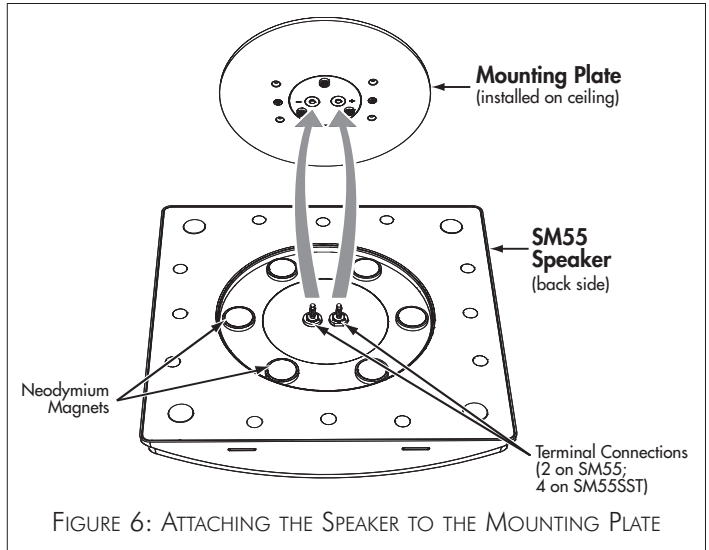


FIGURE 6: ATTACHING THE SPEAKER TO THE MOUNTING PLATE

Be sure to align the "+" and "-" connectors on the speaker with the corresponding connectors on the Mounting Plate.

- After the speaker is installed you can rotate it to align it with design elements in the room. See *Speaker Adjustments: Rotating the Speaker*, on page 3.

Installation Without a J-Box

1. Remove the grilles from the speakers.

- The grilles are held on the speakers by 2 small tabs on each side of the grille frame. Use a flat-blade screwdriver to gently pry each side of the grille frame away from the speaker to release the tabs, and slide the grille off the speaker (see Figure 7).

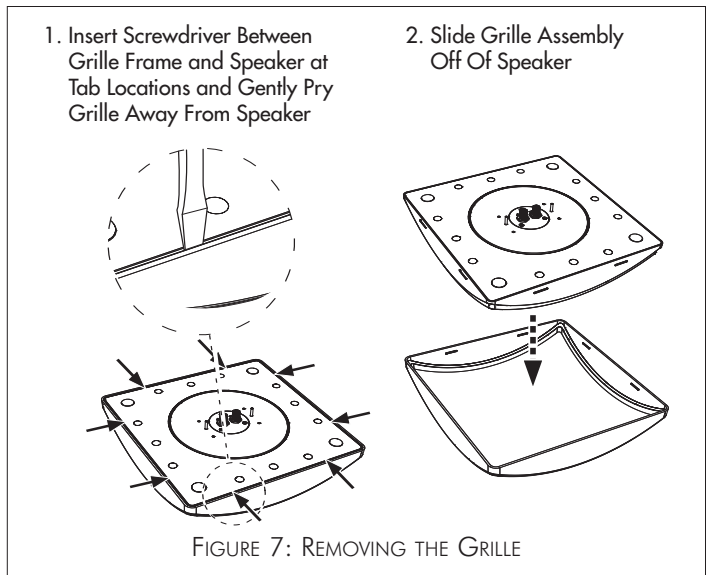


FIGURE 7: REMOVING THE GRILLE

SONANCE SM55 & SM55 SST SURFACE-MOUNT SPEAKERS

2. Unscrew the male banana connectors from the bottom of the speaker and replace them with the supplied Speaker Terminal Screws (see Figure 8A).
3. Run speaker wires through the ceiling, from the speaker mounting location to the amplifier.
 - Consult local building codes before running speaker wires through ceilings.
4. Strip $\frac{1}{2}$ " – $\frac{3}{4}$ " of insulation from each speaker lead. Twist the wire strands to ensure that there are no stray strands. (Stray strands that touch each other can cause a short-circuit that can damage the amplifier.)
5. Wrap the bare wire ends around the Speaker Terminal Screws and tighten the screws to secure the wires. Be sure to connect amplifier "+" to speaker "+" and amplifier "-" to speaker "-". (See Figure 8B.)

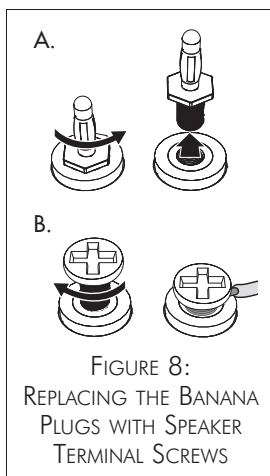


FIGURE 8:
REPLACING THE BANANA
PLUGS WITH SPEAKER
TERMINAL SCREWS

IMPORTANT: Be sure that no stray "+" and "-" strands touch each other. (Stray strands that touch each other can cause a short-circuit that can damage the amplifier.)

6. Feed any excess speaker wire back through the ceiling and place the speaker in the desired mounting location.
7. Mark the locations of the four mounting holes on the ceiling.
8. Drill holes at the marked locations and install anchor devices appropriate for the ceiling construction material into the holes.
9. Place the speaker at the mounting location again and drive four screws or bolts appropriate for the chosen anchor devices through the four mounting holes on the speaker and into the anchors in the ceiling (see Figure 9).

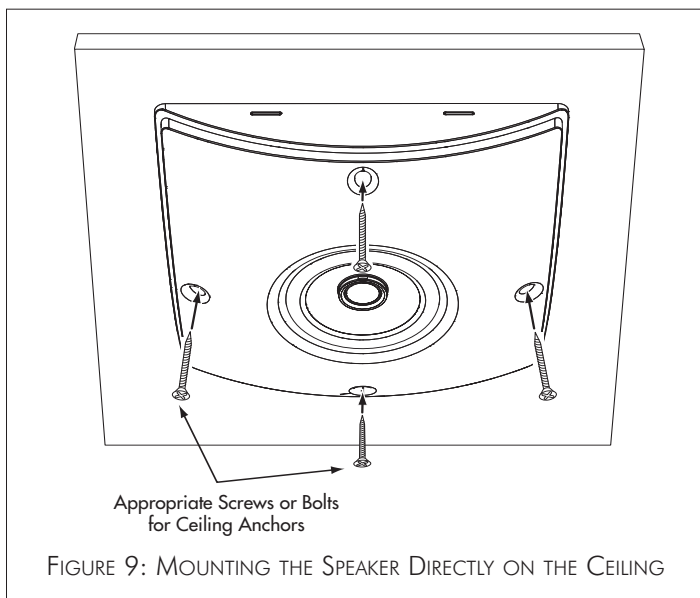


FIGURE 9: MOUNTING THE SPEAKER DIRECTLY ON THE CEILING

IMPORTANT: Always use low-torque settings; NEVER over-tighten.

10. Replace the grilles on the speakers.

Painting The Grilles

Please refer to the included *Painting Instructions* sheet.

Speaker Adjustments

Rotating the Speaker

When installed using the Mounting Plate, the SM55 and SM55 SST can be rotated around their center axes after installation to align them with architectural or design elements in the room. (See Figure 10.)

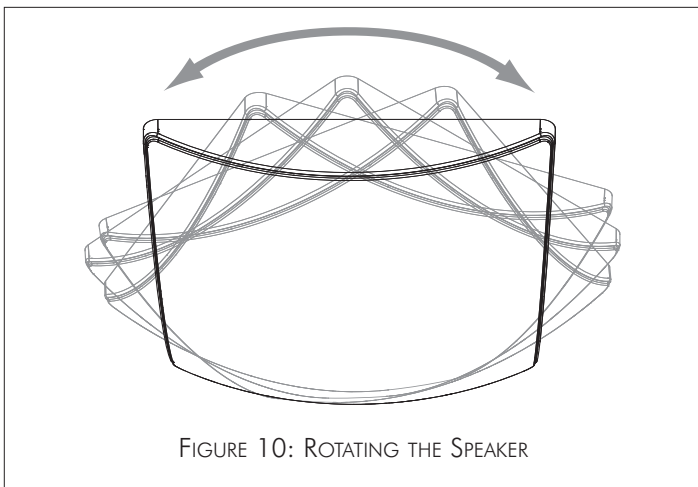


FIGURE 10: ROTATING THE SPEAKER

NOTE: EXCESSIVELY ROTATING THE SPEAKER CAN TWIST THE SPEAKER WIRES IN THE J-BOX BEHIND THE MOUNTING PLATE, CAUSING THEM TO DISCONNECT, BREAK OR SHORT-CIRCUIT.

Specifications

Tweeter:	(SM55) — 1" (25mm) silk dome, ferrofluid-cooled (SM55 SST) — Two 1: (25mm) silk domes, ferrofluid-cooled
Woofer:	(SM55) — 5¼" (133mm) carbon fiber cone, with a rubber surround (SM55 SST) — 5¼" (133mm) carbon fiber cone, with a rubber surround, dual voice coil
Frequency Response:	65Hz – 20kHz ±3dB
Impedance:	8 ohms nominal; 6 ohms minimum
Power Handling:	5 watts minimum; 60 watts maximum
Sensitivity:	88dB SPL (2.83V/1 meter)
Grille Material:	Perforated aluminum
Dimensions (W x H x D):	12½" x 12½" x 3¼" (308mm x 308mm x 83mm)
Shipping Weight:	(SM55) — 10 lbs (4.5kg) pair (SM55 SST) — 5 lbs (2.3kg) each

LIMITED FIVE (5) YEAR WARRANTY

Sonance warrants to the first end-user purchaser that this Sonance-brand product ("Product"), when purchased from an authorized Sonance Dealer/Distributor, will be free from defective workmanship and materials for the period stated below. Sonance will at its option and expense during the warranty period, either repair the defect or replace the Product with a new or remanufactured Product or a reasonable equivalent.

EXCLUSIONS

TO THE EXTENT PERMITTED BY LAW, THE WARRANTY SET FORTH ABOVE IS IN LIEU OF, AND EXCLUSIVE OF, ALL OTHER WARRANTIES, EXPRESS OR IMPLIED, AND IS THE SOLE AND EXCLUSIVE WARRANTY PROVIDED BY SONANCE. ALL OTHER EXPRESS AND IMPLIED WARRANTIES, INCLUDING THE IMPLIED WARRANTIES OF MERCHANTABILITY, IMPLIED WARRANTY OF FITNESS FOR USE, AND IMPLIED WARRANTY OF FITNESS FOR A PARTICULAR PURPOSE ARE SPECIFICALLY EXCLUDED. No one is authorized to make or modify any warranties on behalf of Sonance.

The warranty stated above is the sole and exclusive remedy and Sonance's performance shall constitute full and final satisfaction of all obligations, liabilities and claims with respect to the Product. IN ANY EVENT, SONANCE SHALL NOT BE LIABLE FOR CONSEQUENTIAL, INCIDENTAL, ECONOMIC, PROPERTY, BODILY INJURY, OR PERSONAL INJURY DAMAGES ARISING FROM THE PRODUCT, ANY BREACH OF THIS WARRANTY OR OTHERWISE.

This warranty statement gives you specific legal rights, and you may have other rights which vary from state to state. Some states do not allow the exclusion of implied warranties or limitations of remedies, so the above exclusions and limitations may not apply. If your state does not allow disclaimer of implied warranties, the duration of such implied warranties is limited to period of Sonance's express warranty.

Your Product Model and Description: Surface Mount Series Speakers

Warranty Period for this Product: Five (5) years from the date on the original sales receipt or invoice or other satisfactory proof of purchase.

Additional Limitations and Exclusions from Warranty Coverage: The warranty described above is non-transferable, applies only to the initial installation of the Product, does not include installation of any repaired or replaced Product, does not include damage to allied or associated equipment which may result for any reason from use with this Product, and does not include labor or parts caused by accident, disaster, negligence, improper installation, misuse (e.g. overdriving the amplifier or speaker, excessive heat or cold or humidity, outdoor installation), or from service or repair which has not been authorized by Sonance.

Obtaining Authorized Service: To qualify for the warranty, you must contact your authorized Sonance Dealer/Installer or call Sonance Customer Service at (800) 582-0772 within the warranty period, must obtain a return merchandise number (RMA), and must deliver the Product to Sonance shipping prepaid during the warranty period, together with the original sales receipt, or invoice or other satisfactory proof of purchase.



©2009 Sonance. All rights reserved. Sonance and Single-Stereo Technology are registered trademarks of Dana Innovations.

Due to continuous product improvement, all features and specifications are subject to change without notice.

For the latest Sonance product specification information visit our website: www.sonance.com

SONANCE • 212 Avenida Fabricante • San Clemente, CA 92672-7531 USA

(800) 582-7777 or (949) 492-7777 • FAX: (949) 361-5151 • Technical Support: (800) 582-0772

www.sonance.com

33-4785 010909Final