

SONANCE

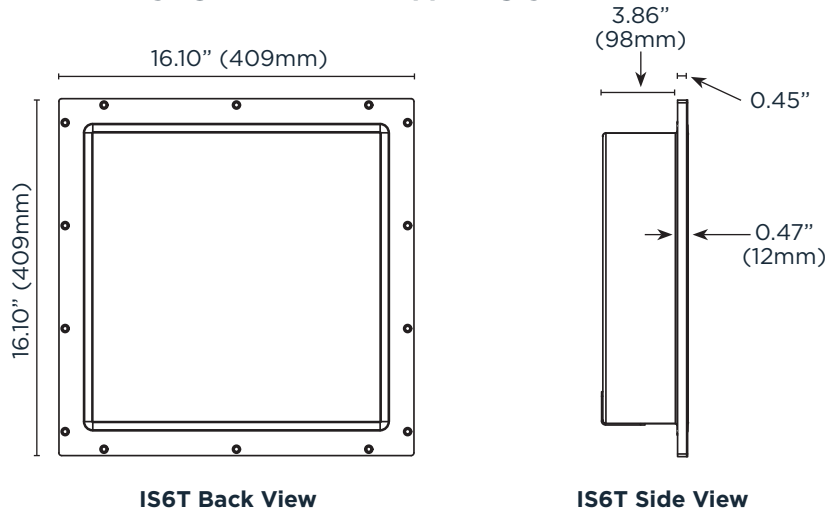
INVISIBLE SERIES DATA SHEET

IS6T SPEAKER

TECHNICAL SPECIFICATIONS

| | |
|----------------------------|--|
| SKU | 40198 |
| UOM | Each |
| Wave Flex Drive Unit | 20in ² (127cm ²) bending wave diaphragm, 1.75" (44mm) voice coil |
| Air Flex Woofer | 98in ² (633cm ²) air pulse diaphragm, 6.5in (165mm) carbon fiber woofer |
| Frequency Response | 50Hz-30Hz (+/- 3dB) |
| Nominal Impedance | 4 Ohm |
| Power Handling (RMS) | 100W |
| Sensitivity (2.83V/1m) | 84dB |
| Dispersion | 170° hemispherical up to 10kHz |
| Transformer | 30W with Sonance Laminated Core Technology |
| Transformer Taps | Primary Taps (70V): 3.8W, 7.5W, 15W, 30W; Primary Taps (100V): 7.5W, 15W, 30W; 4 Ohm Bypass |
| Overload Protection | Two Independent Self-Resetting Poly Switches, Safety Agency UL-1480A, UL-2043, CSA-C22.2 No.205, NFPA-70, and NFPA-90A |
| Product Dimensions (WxHxD) | 16.10" x 16.10" x 3.86" (409mm x 409mm x 98mm) |
| Mounting Depth | 3.39" (86mm) |

DIMENSIONAL DRAWINGS



OPTIONAL ACCESSORIES

| | |
|----------------------------------|-------|
| Preconstruction Zip Ring Bracket | 93484 |
| Space Saver | 93492 |
| DG-1 DISC System Depth Gauge | 93491 |

ASSOCIATED PRODUCTS

INVISIBLE SERIES SPEAKERS

| | |
|--------------|-------|
| IS10 Speaker | 93480 |
| IS8 Speaker | 93479 |
| IS6 Speaker | 93478 |

INVISIBLE SERIES WOOFER

| | |
|--------------|-------|
| IS10W Woofer | 93481 |
|--------------|-------|

INVISIBLE SERIES COMMERCIAL SPEAKER

| | |
|--------------|-------|
| IS8T Speaker | 40197 |
|--------------|-------|

LIMITED FIFTEEN (15) YEAR WARRANTY

Sonance warrants to the first end-user purchaser that this Sonance-brand product ("Product"), when purchased from an authorized Sonance Dealer/Distributor, will be free from defective workmanship and materials for the period stated above. Sonance will at its option and expense during the warranty period, either repair the defect or replace the Product with a new or remanufactured Product or a reasonable equivalent. For more details please refer to the product manual.

©2020 Sonance. All rights reserved. Sonance is a registered trademarks of Dana Innovations. Due to continuous product improvement, all features and specifications are subject to change without notice. For the latest Sonance product specification information visit our website at www.sonance.com.

SONANCE • 991 Calle Amanecer • San Clemente, CA 92673 USA • Phone: (949) 492-7777 • Fax: (949) 361-5151 • Technical Support: (949) 492-7777 • www.sonance.com • 02.04.2021