

SONANCE ARCHITECTURAL SERIES®

AS38RS AND AS68RS PLASTER SHIM QUICKSTART GUIDE



Box Contents

- (1) Quickstart guide
- (1) Plaster Shim 1/16" thickness
 - Discreet or Medium
- Set of mud ring screw(s) (#6-32 PH x 1 1/4")
 - a. (6) for Discreet
 - b. (12) for Medium

#4 x 3/4" Wood Screw(s)

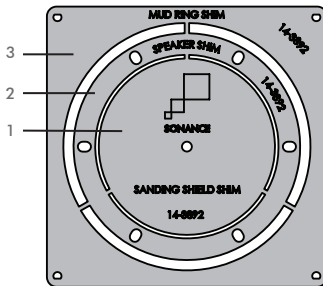
- a. (1) for Discreet
- b. (3) for Medium

Speaker Installation Screws (#6-32 FH x 1 3/4")

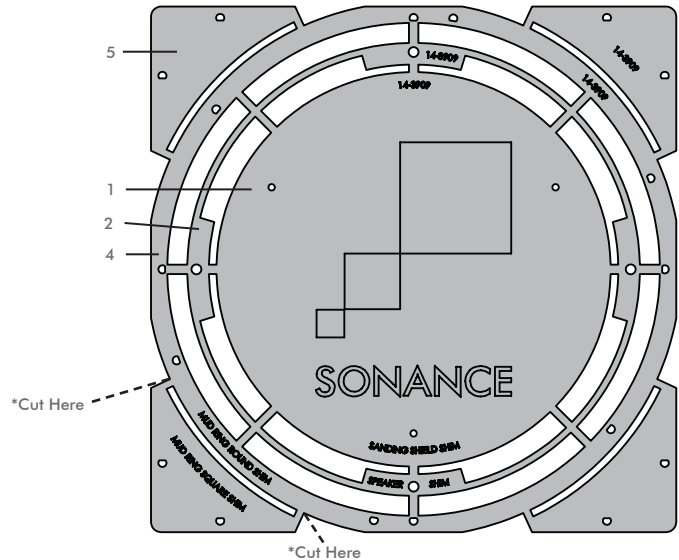
- a. (3) for Discreet
- b. (4) for Medium

- 1. Sanding Shield Shim
- 2. Speaker Shim
- 3. DOS Mud Ring Shim
- 4. Medium Round Mud Ring Shim
- 5. Medium Square Mud Ring Shim
- *Break off for Round

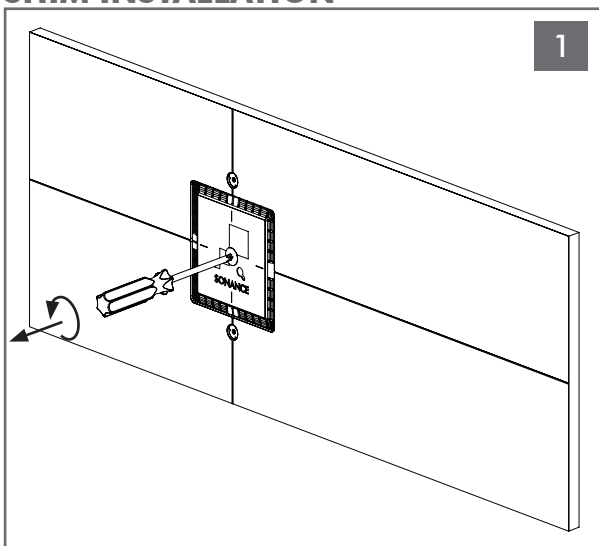
93302 DOS Plaster Shim



93303 Medium AS Plaster Shim



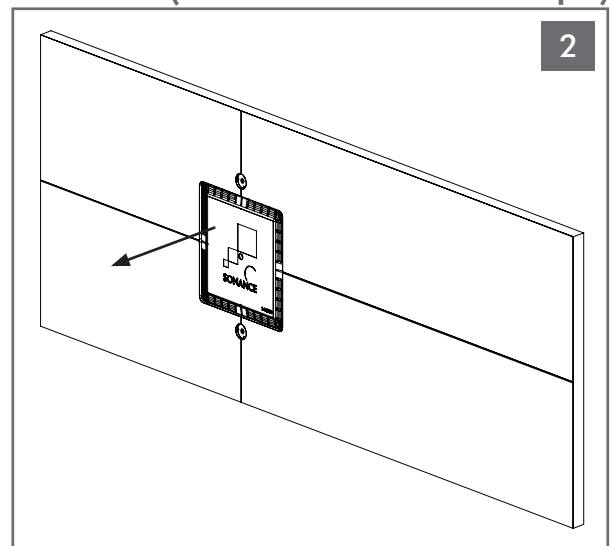
SHIM INSTALLATION



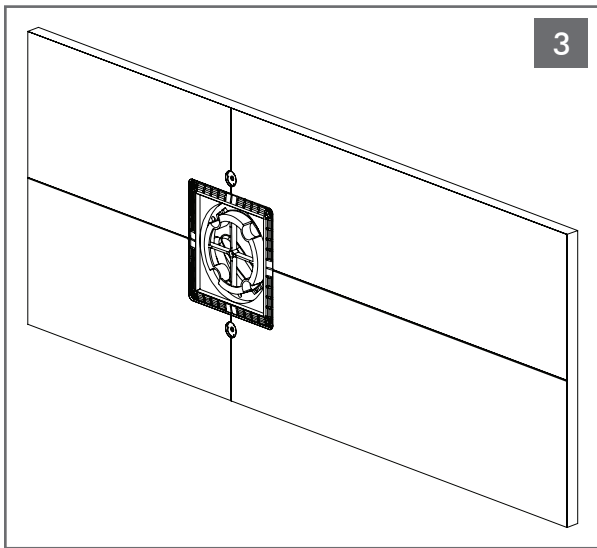
Using a philips screw driver, remove the sanding shield and set aside for later use. Discard the removed screw to replace with the longer 3/4" screw provided.

(Note: Medium will have 3 of these screws)

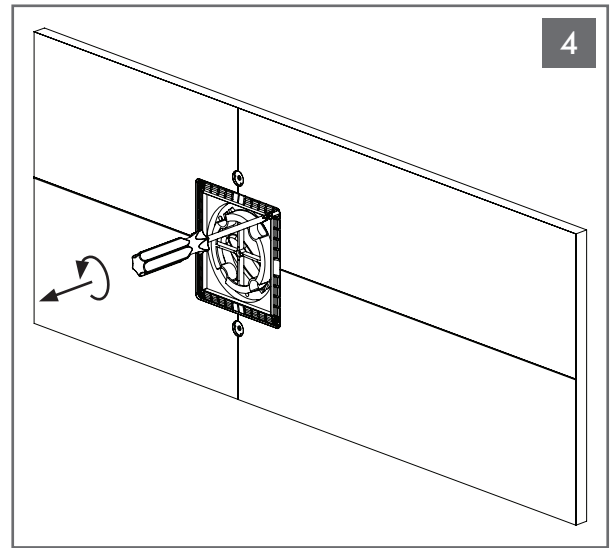
(Discreet size shown in example)



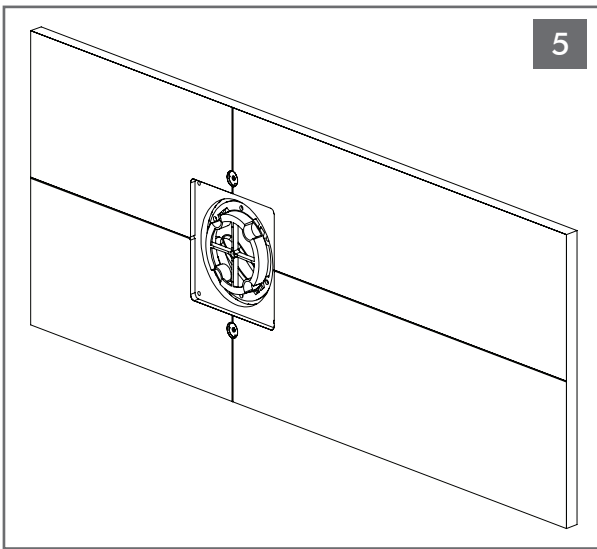
Remove the paint shield by pulling carefully. The back of the paint shield has adhesive. Save for later use!



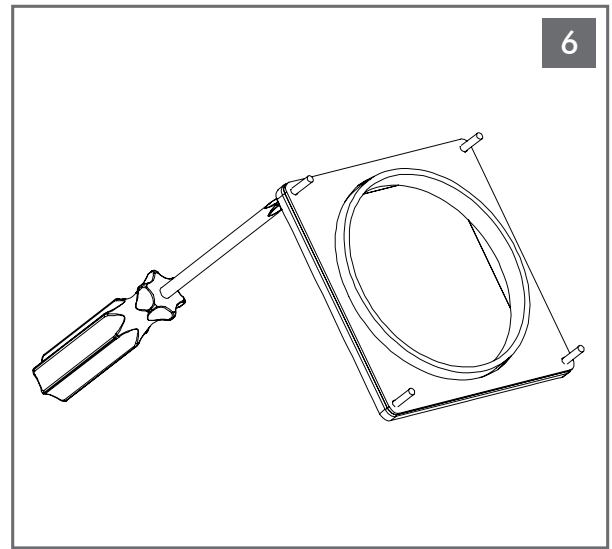
Sanding shield removed.



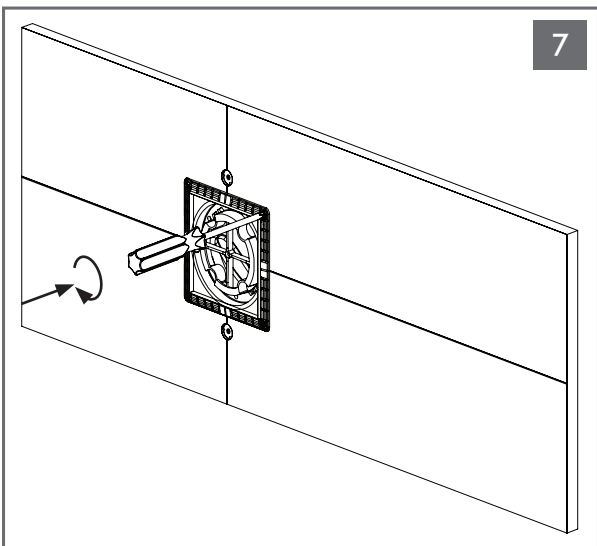
Remove the four mud dam screws with a philips screw driver. (Note: Medium will have 12 screws)



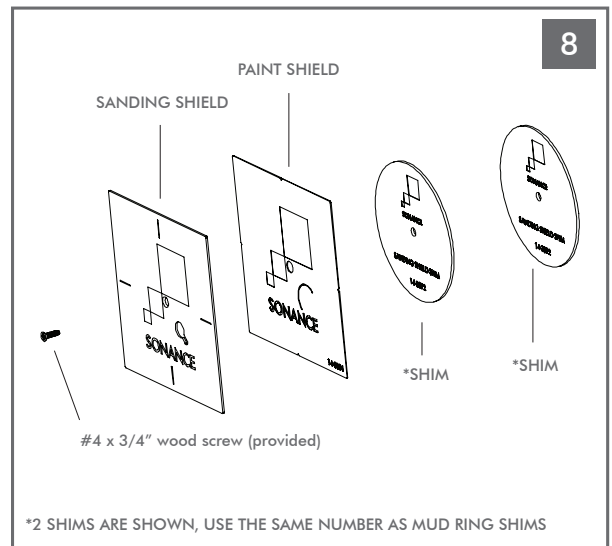
Mud dam removed.



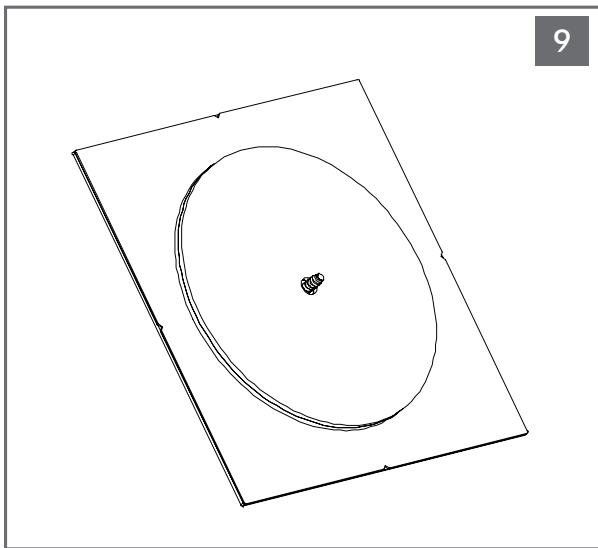
Attach the desired number of plaster shims to the mud dam using the longer screws provided. This step makes it easier to install the shims and mud dam in the ceiling.



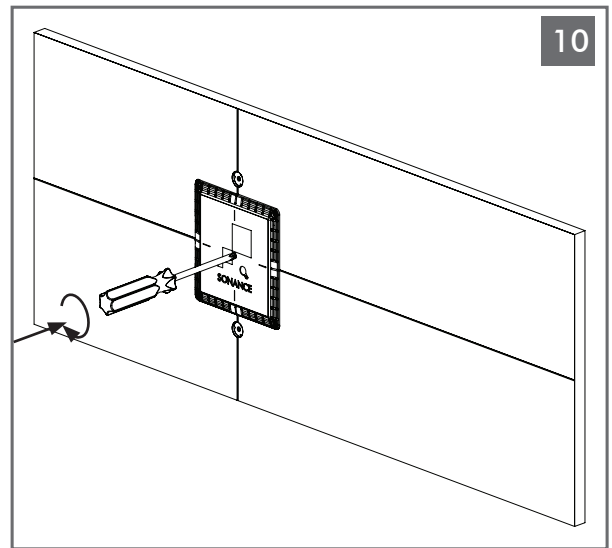
Re-install the mud dam and shim sub-assembly as shown.



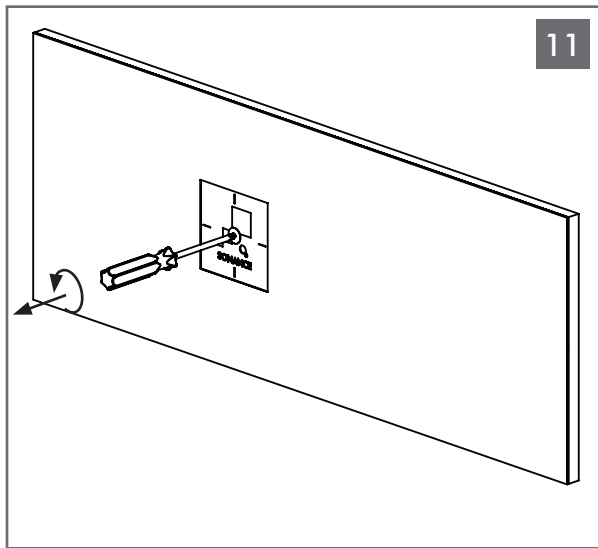
Using the #4 screw provided, align the sanding shield, paint shield, and the same number of sanding shield shims as mud dam shims into a sub-assembly.



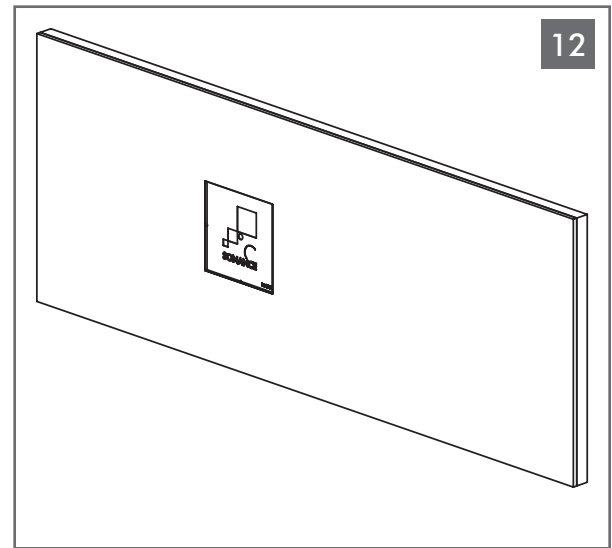
Sanding shield sub-assembly.



This phase of the installation is complete. Save the speaker shim for installation of speaker after plaster and paint is complete.

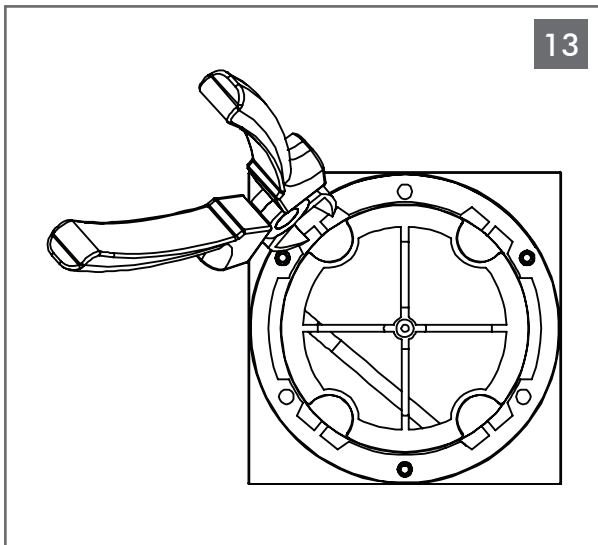


After the plaster is applied and sanded, remove the sanding shield and discard. Leave the paint shield until ready to install the speaker.

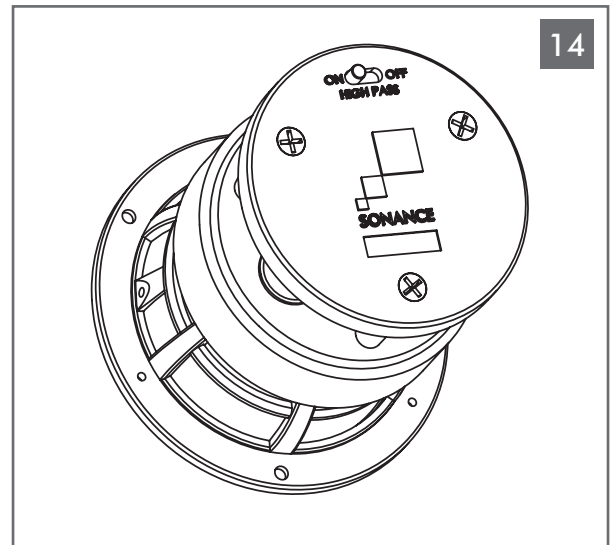


With paint shield in place, finish paint, then remove the paint shield.

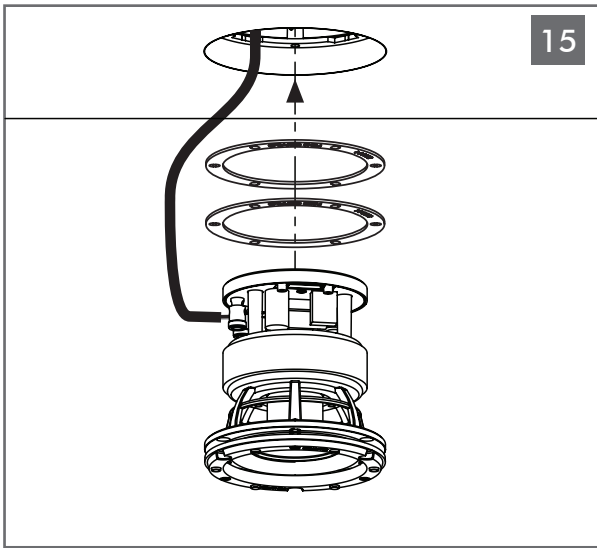
SPEAKER INSTALLATION



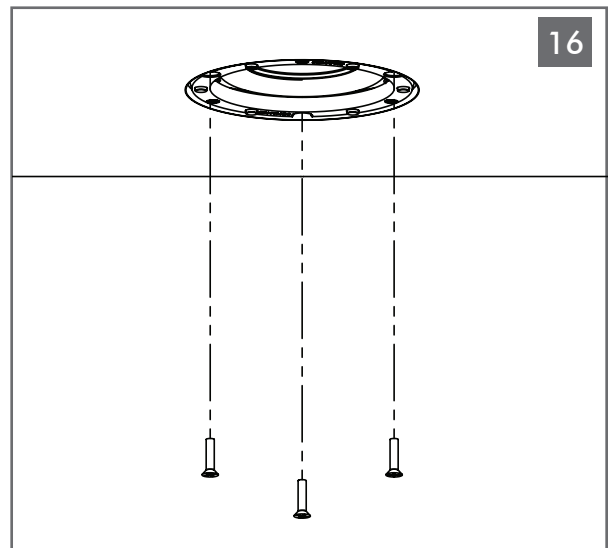
Remove the sanding shield support.



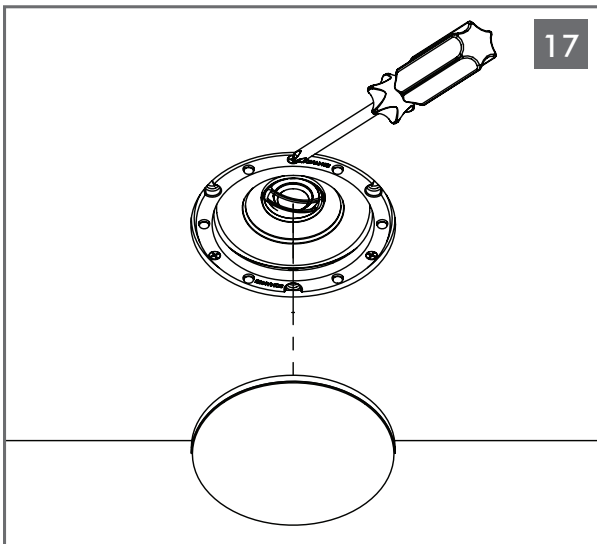
When using AS38RS/BPS6 or AS68RS/BPS8 System, switch to high pass ON. High pass switch is located on the back of the crossover cover. Switch high pass to OFF when choosing full range and no BPS6 or BPS8.



15
Add the appropriate number of speaker shims and install the speaker. Connect the negative wire to the black spring terminal and the positive wire to the red spring terminal.



16
Using the provided longer speaker installation screws, apply Loctite to screws and screw speaker to mounting platform.



17
The leveling ring is for fine adjustment. If necessary adjust the magnetic grille leveling ring with a screwdriver and install magnetic grille. See grille painting instructions.

For wiring diagrams and detailed eManual scan the QR code or visit www.sonance.com/in-wall-in-ceiling/architectural-series/discreet-opening-system



©2015 Sonance. All rights reserved.

Sonance and Architectural Series are registered trademarks of Dana Innovations.

Due to continuous product improvement, all features and specifications are subject to change without notice. For the latest Sonance product specification information, visit our website: www.sonance.com

SONANCE • 991 Calle Amanecer • San Clemente, CA 92673 USA
(949) 492-7777 • FAX: (949) 361-5151 • Technical Support: (949) 492-7777
www.sonance.com

33-7441 REV A

06.26.17