

SONANCE ARCHITECTURAL SERIES

AS BANDPASS CONNECTOR FOR BPS6 TL

QUICKSTART GUIDE (ROUND AND SQUARE)



Box Contents

- (1) Quickstart guide
- (1) Bandpass Connector for BPS6 TL
- (1) Spacer ring for 5/8" mounting platforms

- (1) Round grille
- (1) Square grille
- (1) Set of 3 mounting screws
- (1) Tube of Loctite®

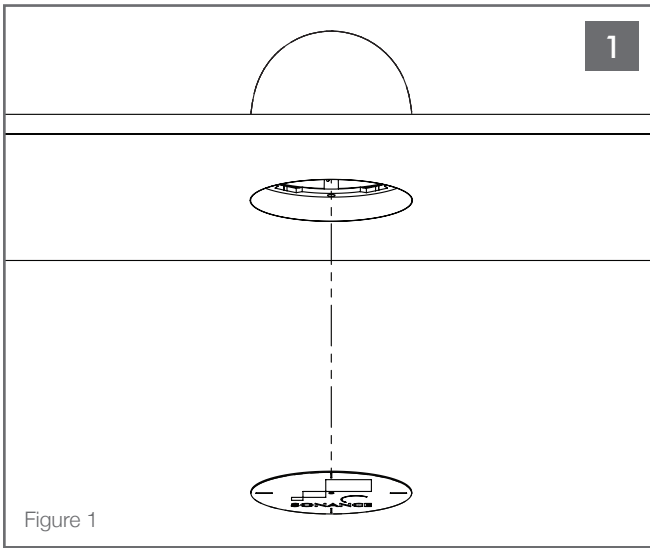


Figure 1

Remove and discard the paint shield from the finished mounting platform. (See Figure 1).

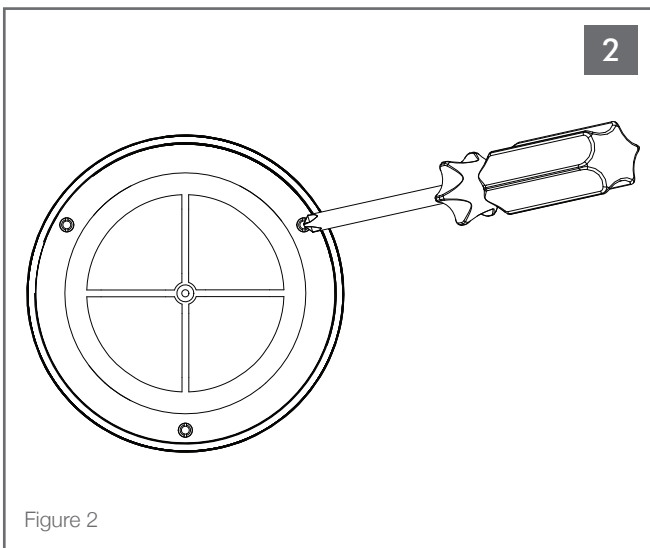


Figure 2

Remove and discard the 3 screws holding the sanding shield support structure using a screwdriver. (See Figure 2).

NOTE: THE SANDING SHIELD SUPPORT STRUCTURE INCLUDES A SPACER RING WHICH ALSO REQUIRES REMOVAL AND DISCARD. A NEW SPACER RING IS PROVIDED WITH THIS ASPBC3RS TL TO BE USED ONLY FOR 5/8" SURFACE INSTALLS.

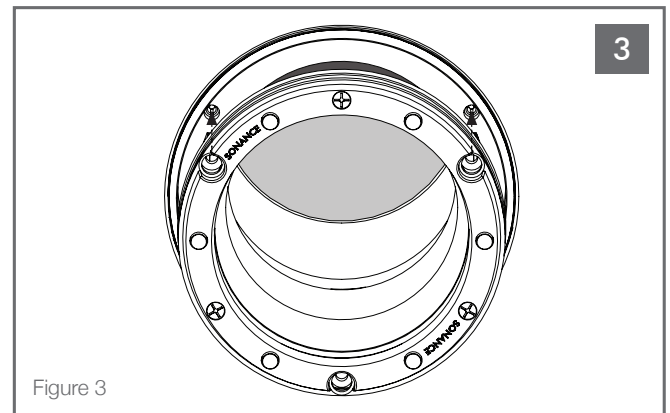


Figure 3

Line up the ASBPC3RS TL with the opening of the mounting platform so that the 3 screws of the ring align with the 3 clearance holes (not threaded) in the mounting platform opening. (See Figure 3).

NOTE: WHEN INSTALLING INTO A 5/8" MOUNTING PLATFORM, USE THE INCLUDED SPACER RING BETWEEN THE MOUNTING PLATFORM AND THE ASBPC3RS TL.

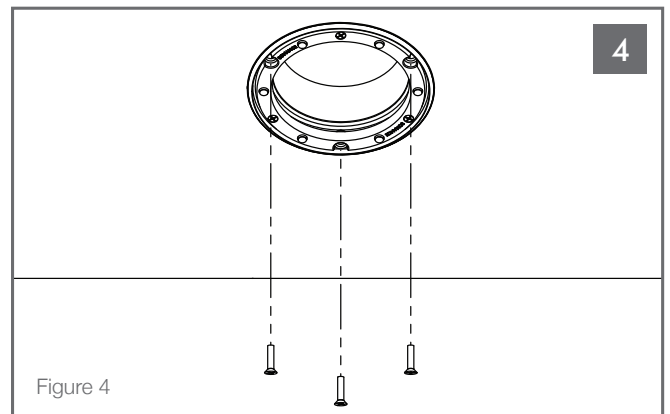
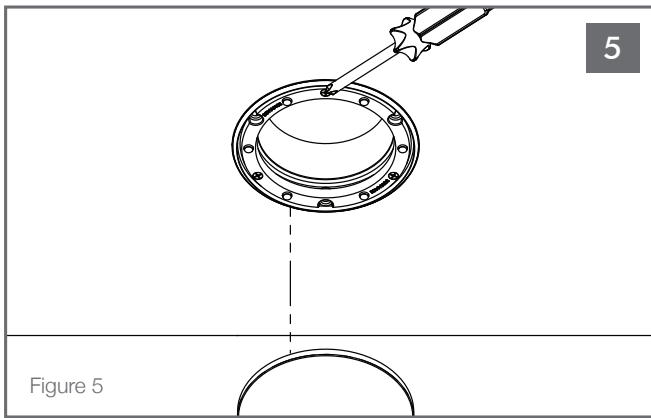


Figure 4

Apply Loctite to the 3 provided screws. Thread the screws through the 3 remaining screw holes of the ASBPC3RS TL and into the brass threaded inserts of the mounting platform. (See Figure 4).



Install the desired grille (Round or Square) to check the evenness with the surrounding surface. (See Figure 5).

If the grille is not even, remove and use a screwdriver to make adjustments to the 3 leveling screws until the ASBPC3RS TL and grille are aligned with the surrounding surface.

Install grille to check evenness and repeat adjustments as necessary.

NOTE: FOR PAINTED GRILLE APPLICATIONS, SEE GRILLE PAINTING INSTRUCTIONS IN THE DOWNLOAD SECTION AT THE BOTTOM OF THE WEBPAGE: WWW.SONANCE.COM/IN-WALL-IN-CEILING/VISUAL-PERFORMANCE/DISCREET-OPENING-SYSTEM

For wiring diagrams, eManuals and warranty information visit: www.sonance.com/in-wall-in-ceiling/bps6-tl