

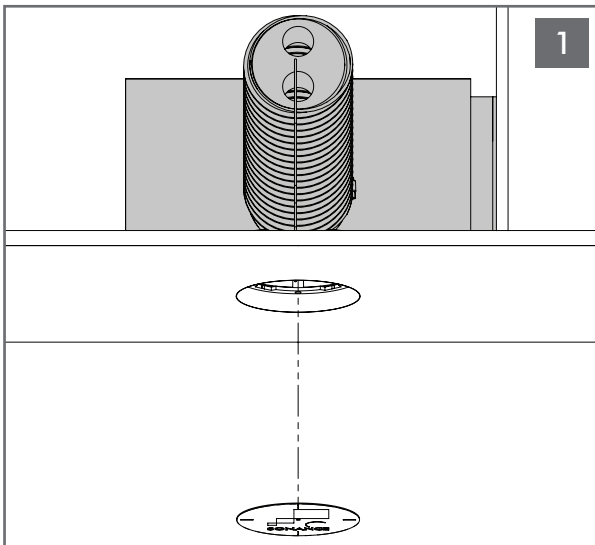
# SONANCE ARCHITECTURAL SERIES®

## A.S. BANDPASS CONNECTOR QUICKSTART GUIDE ASBPC3RS AND ASBPC6RS (ROUND AND SQUARE)

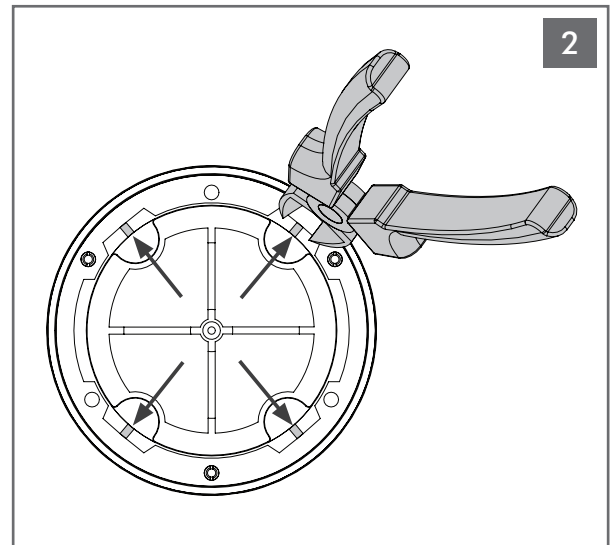


### Box Contents

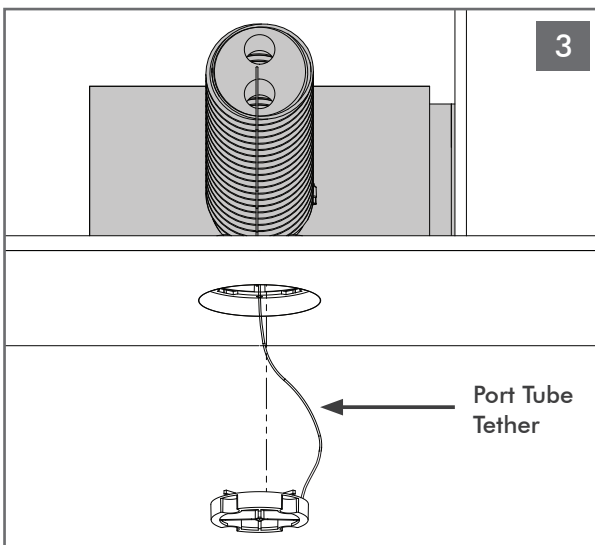
- (1) Quickstart guide
- (1) Bandpass connector
- (1) Round grille
- (1) Square grille
- (1) Hose clamp for port tube
- (1) Grille painting instructions
- (1) Set of speaker screws w/ Loctite®



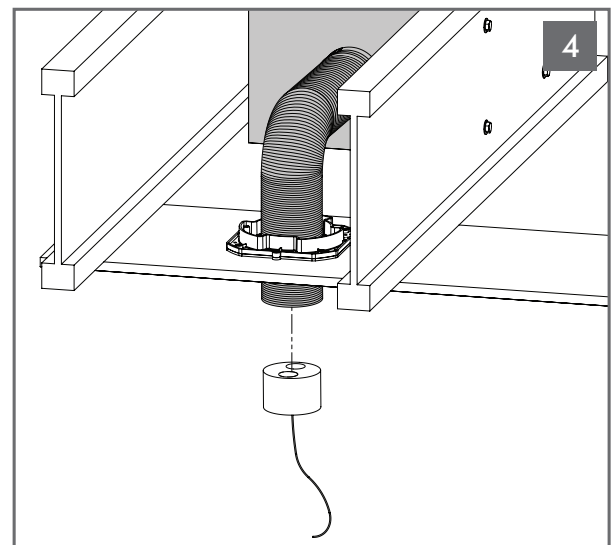
Remove the paint shield from the finished mounting platform.



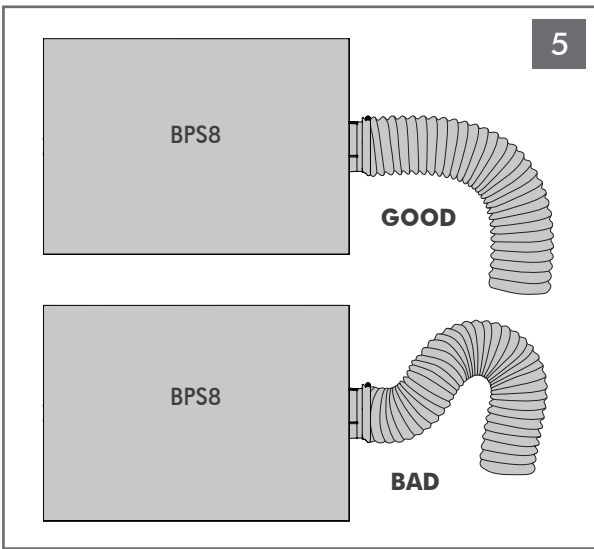
Cut the four tabs on the sanding shield support structure on the bracket. **NOTE: The port tube tether is connected to the zip tie for easy access.**



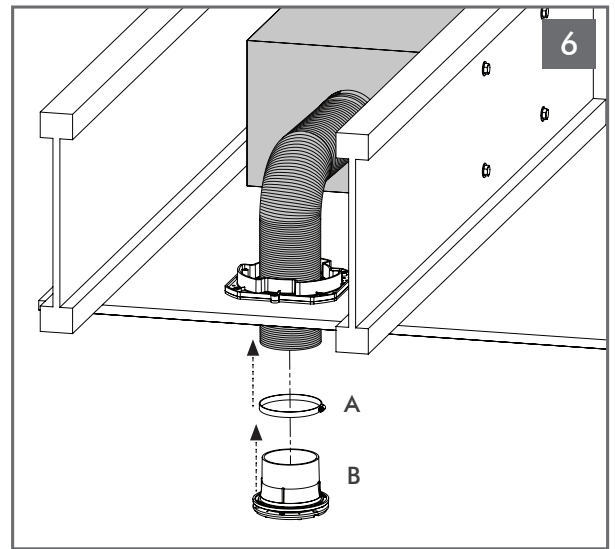
Remove sanding shield support structure. Use the tether to guide the port tube through the back of the mounting platform. Do not remove foam insert from port tube yet.



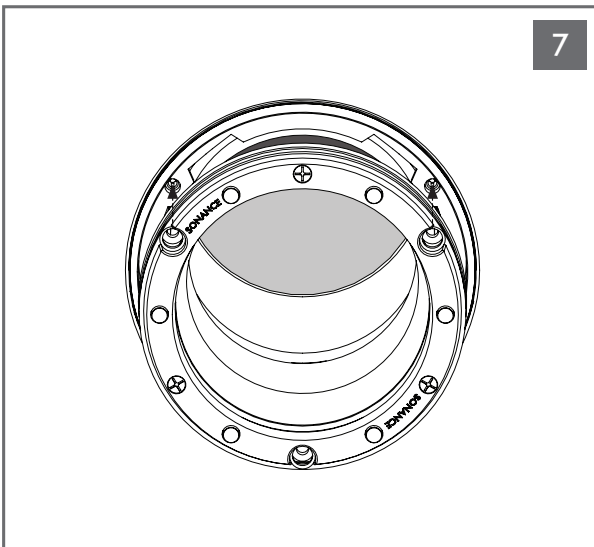
Pull port tube down and expose all extra port tube through speaker opening. Remove foam insert from port tube. Cut and remove extra port tube material, leaving 3 ribs or 1 5/8" (41mm) below ceiling surface.



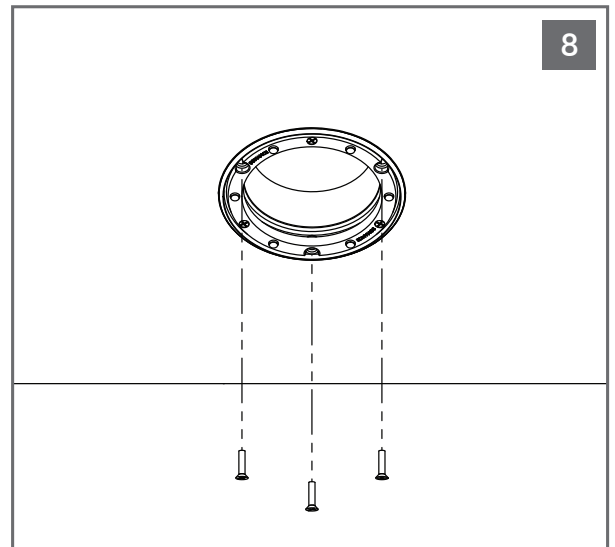
If it is not possible to locate the BPS8 Subwoofer 12" away from the bandpass connector, the extra hose material (up to 8") must be removed. While it is ok to shorten the hose, never extend the hose length.



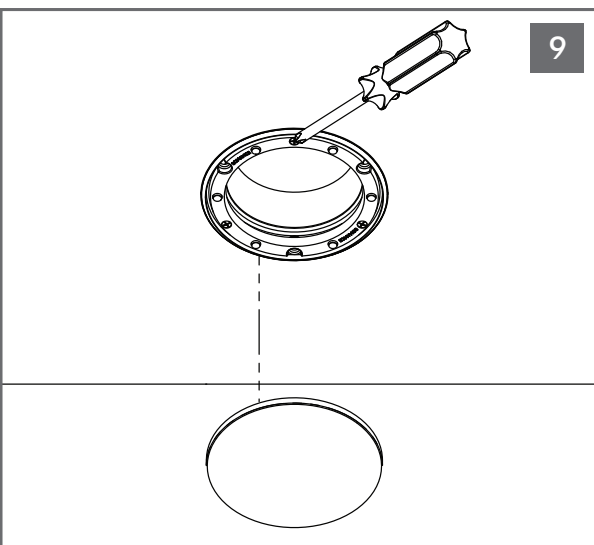
Place the hose clamp (A) around the ASBPS porttube. Slide the port tube over the bandpass connector (B). Orient the port tube on the bandpass connector so the mounting screw locations in the bracket and bandpass connector line up.



Tighten the hose clamp around the bandpass connector and port tube. The slots in the mounting platform allow clearance for the hose clamp. Orient the hose clamp to go through one of the openings. Place the port tube and connector into the mounting platform.



Apply Loctite® to screws and screw bandpass connector to mounting platform.



The leveling ring is for fine adjustment. If necessary adjust the magnetic grille leveling ring with a screwdriver so grille installs flush to the ceiling surface. Remove the scrim cloth (for BPS8 Subwoofer applications) and install the grille. **NOTE: See grille painting instructions.**

©2017 Sonance. All rights reserved.  
Sonance, Architectural Series, and Visual Performance are registered trademarks of Dana Innovations.

Due to continuous product improvement, all features and specifications are subject to change without notice. For the latest Sonance product specification information, visit our website: [www.sonance.com](http://www.sonance.com)

SONANCE  
991 Calle Amanecer  
San Clemente, CA 92673 USA

(949) 492-7777  
FAX: (949) 361-5151  
Technical Support: (949) 492-7777

[www.sonance.com](http://www.sonance.com)

For wiring diagrams and detailed eManuals visit <http://www.sonance.com/in-wall-in-ceiling/architectural-series/medium-speaker-subwoofer>