

# BANDPASS STEREO SUBWOOFER QUICKSTART GUIDE

## BPS8 FOR USE WITH ARCHITECTURAL SERIES® BANDPASS CONNECTORS



**Bandpass Subwoofer can be installed in joists spaced 16" on center or greater.**

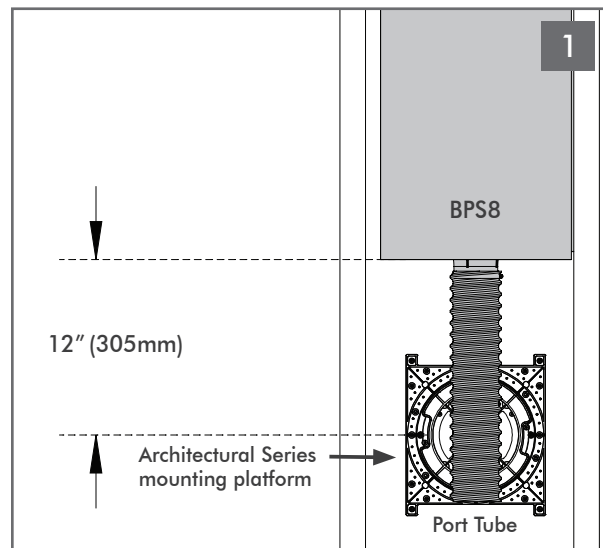
### Box Contents

- (1) Quickstart guide
- (1) Bandpass Subwoofer w/ port tube
- (1) Cardboard mounting template

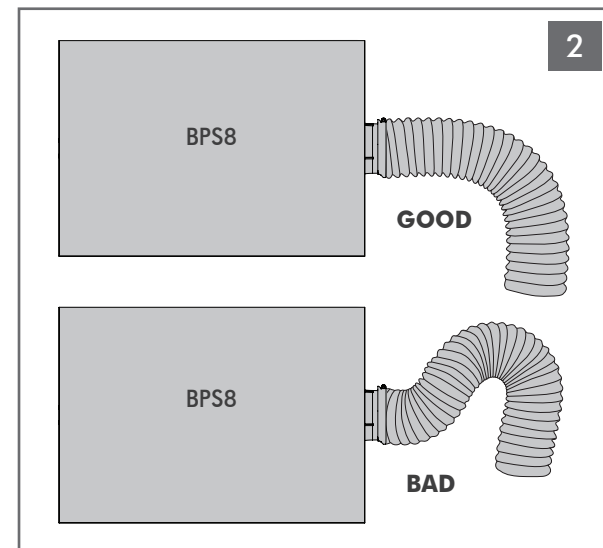
Mounting screws & washers:

- (6) 5/16" x 2" lag screws (for thinner beams)
- (6) 5/16" x 3" lag screws (for thicker beams)
- (6) 5/16" washers

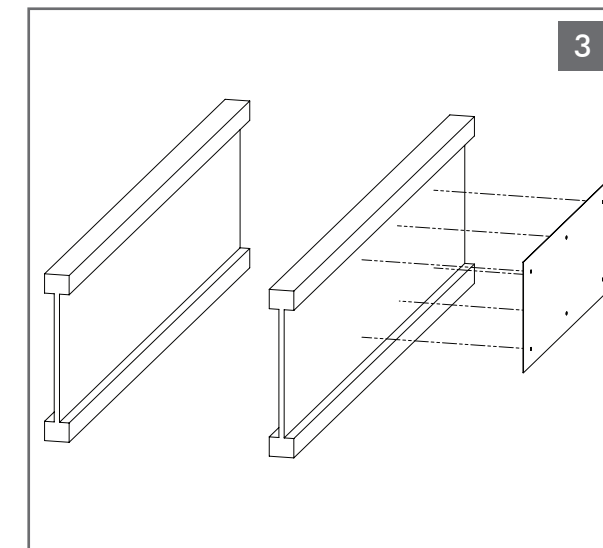
For more eManuals and diagrams visit [www.sonance.com/in-wall-in-ceiling/architectural-series/medium-speaker-subwoofer](http://www.sonance.com/in-wall-in-ceiling/architectural-series/medium-speaker-subwoofer)



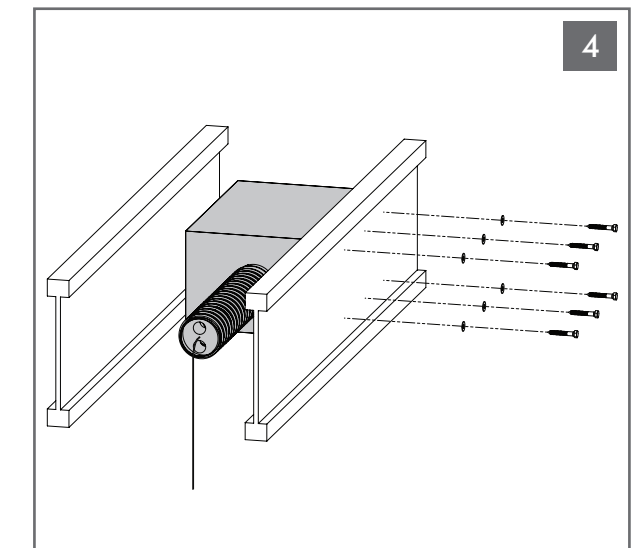
Determine the location for the mounting platform. Ensure there is adequate room for the BPS8 Subwoofer at the location of the platform. **The speaker opening must be located 12" (305mm) from the BPS8 Subwoofer to allow the port tube to reach through the platform.**



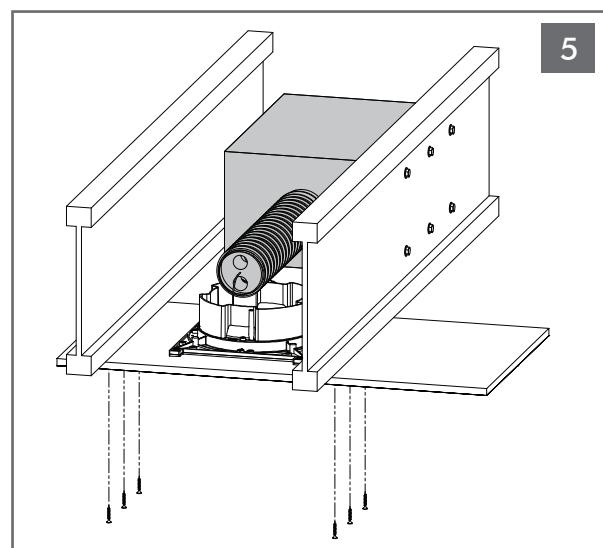
If it is not possible to locate the BPS8 Subwoofer 12" away from the bandpass connector, the extra hose material (up to 8") must be removed. While it is okay to shorten the hose, never extend the hose length.



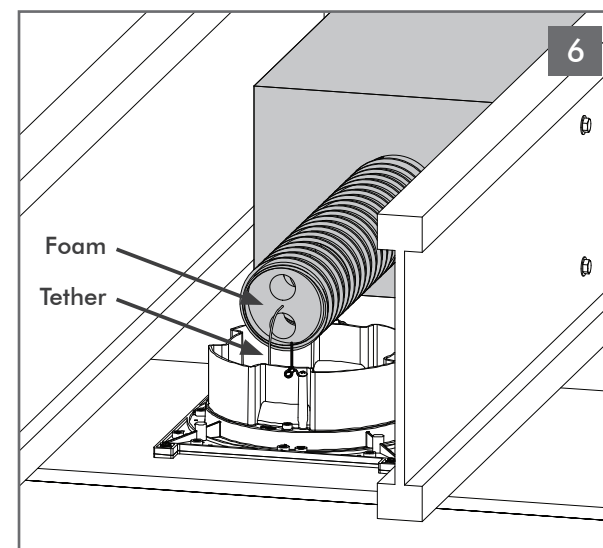
Place the mounting template on the side of the joist and drill six 1/2" (12.7mm) holes through the joist at the locations shown on the mounting template.



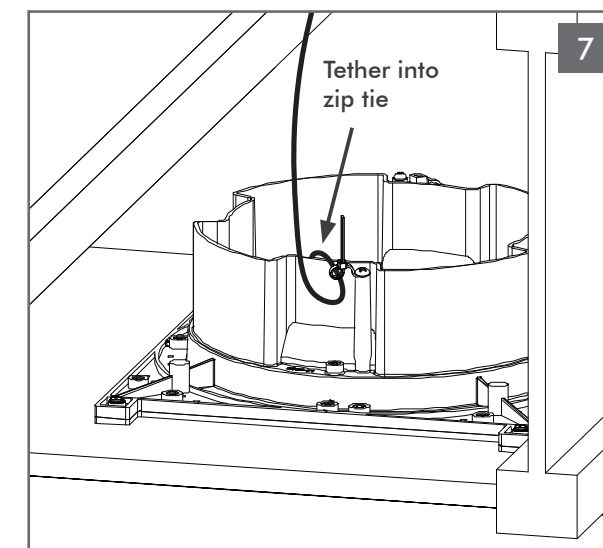
Hold the side of the BPS8 Subwoofer with the rubber damping pad up against the side of the joist and install the six lag screws and washers to secure the BPS8 Subwoofer in place.



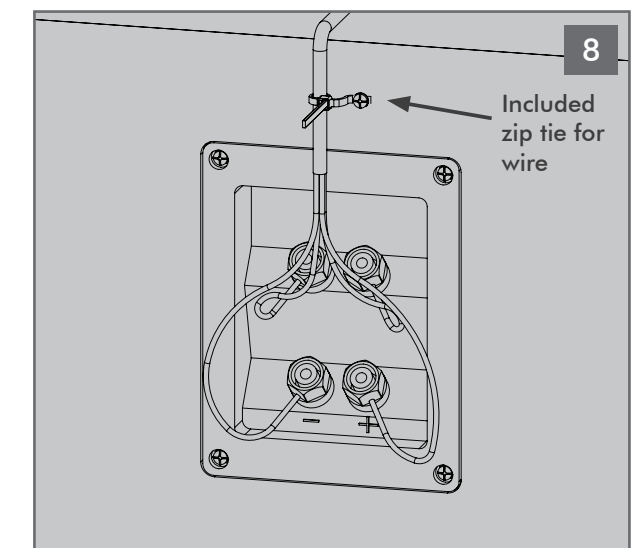
Attach the mounting platform to the joists. For mounting platform installation details visit [www.sonance.com/in-wall-in-ceiling/architectural-series/medium-speaker-subwoofer](http://www.sonance.com/in-wall-in-ceiling/architectural-series/medium-speaker-subwoofer).



On the end of the BPS8 port tube there is a tether. The tether will be used later to guide the BPS8 port tube through the mounting platform opening.



Position end of port tube as close as possible to the back of mounting platform. Loop tether into the anchored zip tie and secure. This process ensures that the bandpass connector is easily attached later and other tradespersons won't infringe on the port tube assembly area.



Secure the wire to the zip tie to prevent accidental removal. Attach the four conductor wires to the input terminals. Positive wires to red terminals and negative wires to black terminals. Run a signal test using a 9V battery. **NOTE: Port tube contains foam plug with tether, make sure pressure levels don't expel the foam and tether.**

# BANDPASS STEREO SUBWOOFER QUICKSTART GUIDE

## BPS8 FOR USE WITH VISUAL PERFORMANCE® BANDPASS CONNECTORS



**Bandpass Subwoofer can be installed in joists spaced 16" on center or greater.**

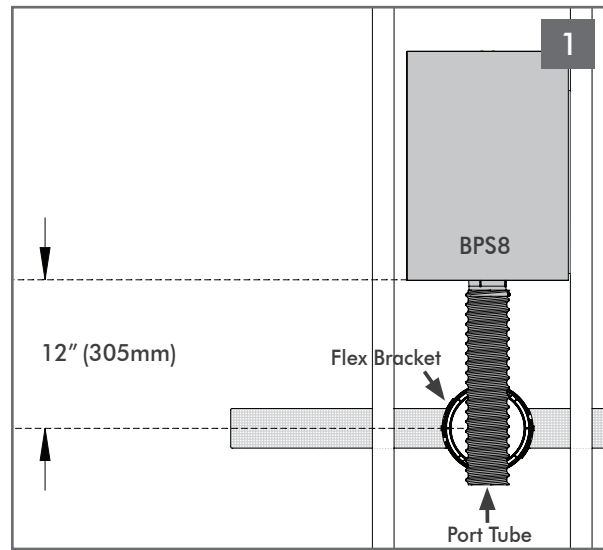
### Box Contents

- (1) Quickstart guide
- (1) Bandpass Subwoofer w/ port tube
- (1) Cardboard mounting template

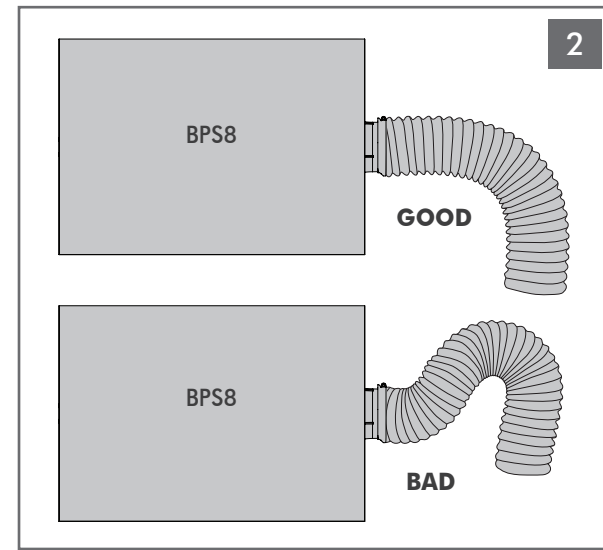
Mounting screws & washers:

- (6) 5/16" x 2" lag screws (for thinner beams)
- (6) 5/16" x 3" lag screws (for thicker beams)
- (6) 5/16" washers

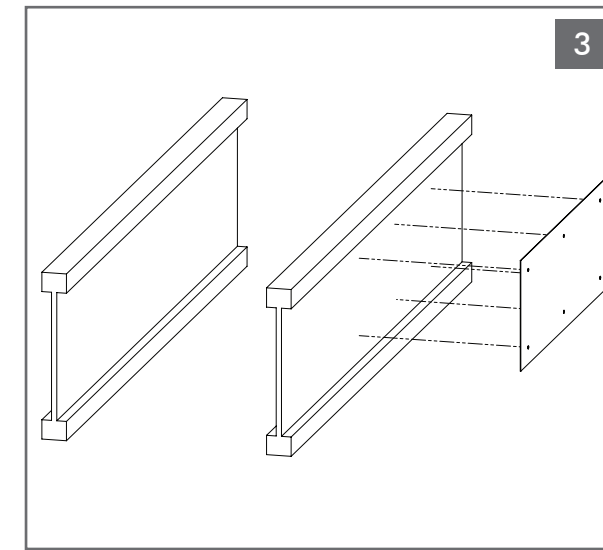
For more eManuals and diagrams visit [www.sonance.com/in-wall-in-ceiling/visual-performance/woofers](http://www.sonance.com/in-wall-in-ceiling/visual-performance/woofers)



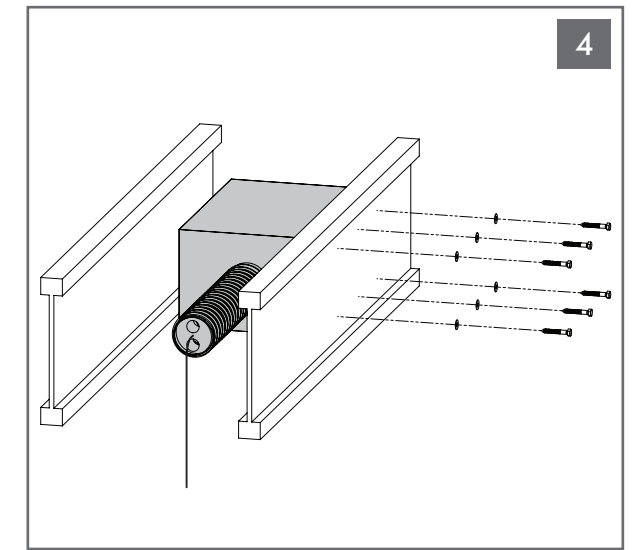
Determine the location for the flex bracket. Ensure there is adequate room for the BPS8 Subwoofer at the location of the flex bracket. **The speaker opening must be located 12" (305mm) from the BPS8 to allow the port tube to reach through the flex bracket.**



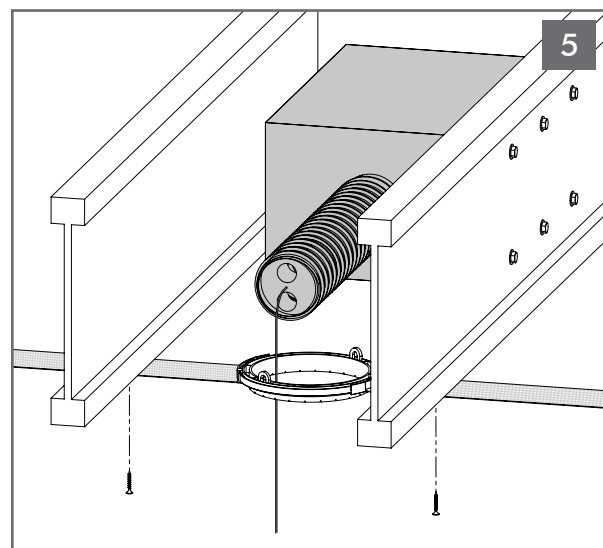
If it is not possible to locate the BPS8 Subwoofer 12" away from the bandpass connector, the extra hose material (up to 8") must be removed. While it is okay to shorten the hose, never extend the hose length.



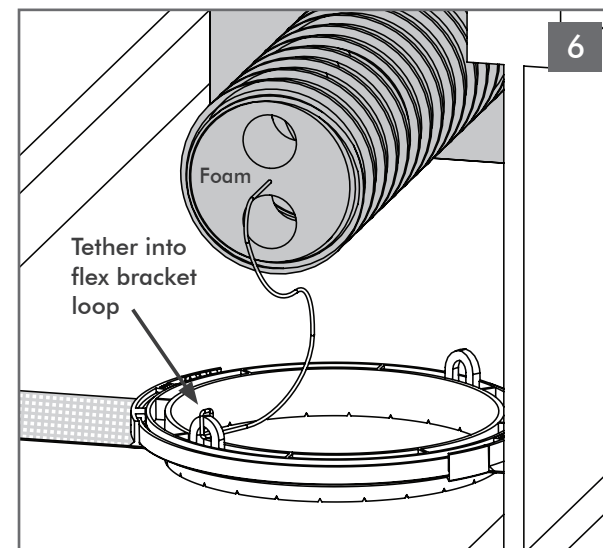
Place the mounting template on the side of the joist and drill six 1/2" (12.7mm) holes through the joist at the locations shown on the mounting template.



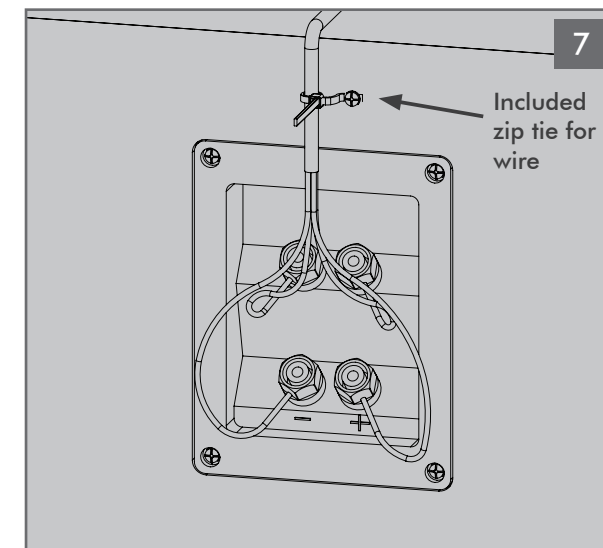
Hold the side of the BPS8 Subwoofer with the rubber damping pad up against the side of the joist and install the six lag screws and washers to secure the BPS8 Subwoofer in place.



Attach the flex bracket to the joists. **The flex bracket must be located within 12" (305mm) of the BPS8 Subwoofer to allow the port tube to reach through the flex bracket opening.**



Loop the tether into the flex bracket. Pull the tether all the way until port tube lies firmly on the flex bracket. Tie the tether into a knot. This process ensures that other tradespersons won't infringe on the port tube assembly area.



Secure the wire to the zip tie to prevent accidental removal. Attach the four conductor wires to the input terminals. Positive wires to red terminals and negative wires to black terminals. Run a signal test using a 9V battery. **NOTE: Port tube contains foam plug with tether, make sure pressure levels don't expel the foam and tether.**

©2017 Sonance. All rights reserved. Sonance, Architectural Series, and Visual Performance are registered trademarks of Dana Innovations.

Due to continuous product improvement, all features and specifications are subject to change without notice. For the latest Sonance product specification information, visit our website: [www.sonance.com](http://www.sonance.com)

SONANCE  
991 Calle Amanecer  
San Clemente, CA 92673 USA

(949) 492-7777  
FAX: (949) 361-5151  
Technical Support: (949) 492-7777

[www.sonance.com](http://www.sonance.com)