



BANDPASS SLOT CONNECTOR FOR BPS6 TL & BPS6 SUBWOOFERS QUICKSTART GUIDE

Box Contents

- (1) Quickstart guide
- (1) Bandpass Slot Connector for BPS6 TL & BPS6

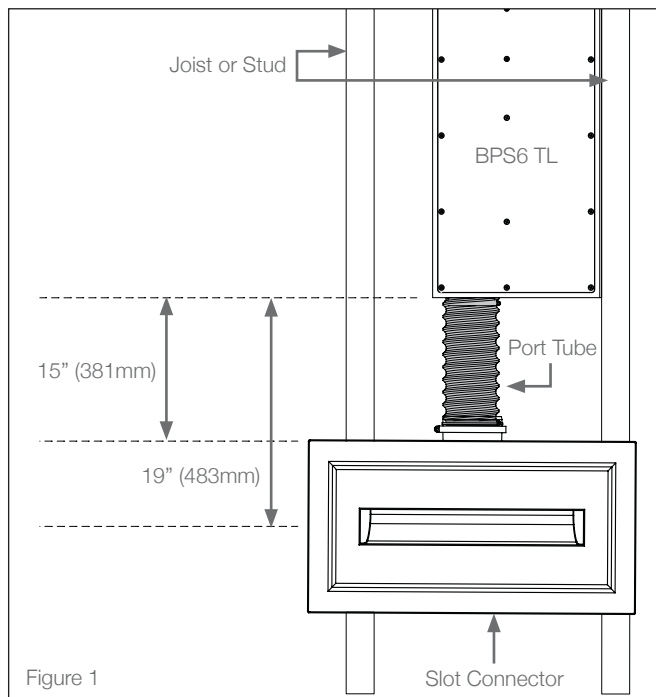
Storing the Slot Connector

It is recommended that all materials are kept in their original packaging until just before installation. Store them off the ground in a secure, dry area until they are needed. Keep all materials dry and above freezing. At the time of installation and finishing, all materials must be at a temperature of 55°F (12.8°C) or above.

Installation Overview

1. Before mounting the slot connector, ensure that there is enough space to accommodate both the slot connector and the BPS6 TL or BPS6 Subwoofer. Allow for 15" of space between bottom of the bandpass subwoofer and the slot connector elbow (see Figure 1).
2. Once the location and availability of space is determined, mount the slot connector.
3. Mount the Subwoofer per instructions. Please see BPS6 TL or BPS6 Subwoofer Installation guide for details.
4. Remove the port tube plug and connect the port tube to the slot connector opening, securing the port tube by using the hose clamp provided with the subwoofer hose.

NOTE: DO NOT OVER TIGHTEN THE HOSE CLAMP. ENSURE THAT THE HOSE WILL NOT BECOME DETACHED FROM THE SLOT CONNECTOR



NOTE: IF IT IS NOT POSSIBLE TO LOCATE THE BPS6 TL SUBWOOFER 15" AWAY FROM THE SLOT CONNECTOR OPENING, EXTRA HOSE MATERIAL (UP TO 3") MAY BE REMOVED. WHILE IT IS OKAY TO SHORTEN THE HOSE, NEVER EXTEND THE HOSE LENGTH.

Installation Details

NOTE: THE SONANCE BANDPASS SUBWOOFER MUST BE INSTALLED AND THE BANDPASS HOSE MUST BE CONNECTED TO THE SLOT CONNECTOR PRIOR TO THE WALL SURFACE BEING FINISHED AROUND IT.

NOTE: BEFORE BEGINNING INSTALLATION OF THE BANDPASS SLOT CONNECTOR, SURVEY THE WALL OR CEILING CAVITY FOR OBSTACLES. THE BPS6 TL SUBWOOFER AND SLOT CONNECTOR WILL OCCUPY A GOOD AMOUNT OF SPACE. AT THE POINT OF INSTALLING THIS SLOT CONNECTOR, THE BPS6 TL SHOULD ALREADY BE SECURED IN THE WALL OR CEILING CAVITY PLEASE SEE BPS6 TL INSTALLATION GUIDE FOR MORE DETAILS (SEE FIGURE 1).

1. Once the BPS6 or BPS6 TL subwoofer is in position within the ceiling joists or wall stud bay, mount the slot connector to the ceiling joists or wall studs using self-drilling screws. Caulking can be used on the back side of the slot connector surface to help join the slot connector to the joists or studs. Secure the slot connector in place with four countersunk screws (two per joist). Fill the screw holes with joint (drywall) compound.
2. Measure and take note of the subwoofer location within the ceiling or wall so it can be located in the future once the surface is closed.
3. The BPS6 TL ships with a foam plug and tether inserted into the end of the port tube; remove and discard the plug. Guide the port tube onto the 90 degree connector so the tube is positioned snugly in place. Tighten the clamp ring to secure the port tube. Verify that the port tube is secure.
4. Attach the four conductor speaker wire to the input terminals; positive wires to red terminals and negative wires to black terminals. Run a signal test using an amplified program material for at least 60 seconds. Secure the speaker wire to the zip tie attached to the subwoofer cabinet to prevent accidental removal.
5. Once the subwoofer and slot connector are securely installed and connected, finish the wall or ceiling surface following standard drywall or plaster finishing techniques and instructions.

NOTE: USING AUDIO PROGRAM MATERIAL, VERIFY THAT THE SUBWOOFER IS OPERATING CORRECTLY BEFORE CLOSING THE CEILING OR WALL.

**FOR BPS6 TL INSTALLATION DETAILS VISIT:
WWW.SONANCE.COM/IN-WALL-IN-CEILING/BPS6-TL**

Cutting and Drilling

Use blades and drill bits designed for metal for best results. The number of teeth on the blade determines the finished quality of the cut. Slow but steady progress reduces edge chipping. Pre-drill and countersink all fastener heads, usually in the tape/bed recess to both sides of seams. Cutting and drilling of “GRG” will produce gypsum dust mixed with glass fibers. Wear a fitted mask to minimize inhalation.

Assembly and Installation

Any discrepancies or confusion must be brought to Sonance’s attention before installing the product. Basic methods and criteria are the same as those required to install drywall. Structural framing and attachment spacing is subject to applicable local code approval and may supersede those described in this document.

For wiring diagrams, eManuals and warranty information visit: sonance.com/in-wall-in-ceiling/bps6-tl



LIMITED FIFTEEN (15) YEAR WARRANTY

Sonance warrants to the first end-user purchaser that this Sonance-brand product (“Product”), when purchased from an authorized Sonance Dealer/Distributor and installed by a Sonance installer, will be free from defective workmanship and materials in the initial installation for the period stated below. Subject to the additional limitations stated below, Sonance will (a) at its option and expense during the warranty period, either repair the defect or replace the Product with a new or remanufactured Product or a reasonable equivalent, and (b) arrange at its reasonable expense to re-install the Product and prepare the surface of the speaker and/or mounting platform for finishing and nothing more.

EXCLUSIONS TO THE EXTENT PERMITTED BY LAW, THE WARRANTY SET FORTH ABOVE IS IN LIEU OF, AND EXCLUSIVE OF, ALL OTHER WARRANTIES, EXPRESS OR IMPLIED, AND IS THE SOLE AND EXCLUSIVE WARRANTY PROVIDED BY SONANCE. ALL OTHER EXPRESS AND IMPLIED WARRANTIES, INCLUDING THE IMPLIED WARRANTY OF MERCHANTABILITY, IMPLIED WARRANTY OF FITNESS FOR USE, AND IMPLIED WARRANTY OF FITNESS FOR A PARTICULAR PURPOSE ARE SPECIFICALLY EXCLUDED.

No one is authorized to make or modify any warranties on behalf of Sonance. The warranty stated above is the sole and exclusive remedy and Sonance’s performance shall constitute full and final satisfaction of all obligations, liabilities and claims with respect to the Product. IN ANY EVENT, SONANCE SHALL NOT BE LIABLE FOR CONSEQUENTIAL,

INCIDENTAL, ECONOMIC, PROPERTY, BODILY INJURY, OR PERSONAL INJURY DAMAGES ARISING FROM THE PRODUCT, ANY BREACH OF THIS WARRANTY OR OTHERWISE.

This warranty statement gives you specific legal rights, and you may have other rights which vary from state to state. Some states do not allow the exclusion of implied warranties or limitations of remedies, so the above exclusions and limitations may not apply. If your state does not allow disclaimer of implied warranties, the duration of such implied warranties is limited to the period of Sonance’s express warranty. Your Product Model and Description: Sonance BPS6 TL SLOT CONNECTOR Warranty Period for this Product: Fifteen (15) years from the date on the original sales receipt, invoice or other satisfactory proof of purchase. Additional Limitations and Exclusions From Warranty Coverage: The warranty described above is non-transferrable, applies only to the initial installation of the Product, does not include re-finishing of the speaker and/or mounting platform or surrounding surface, does not include damage to allied or associated equipment which may result for any reason from use with this Product, and does not include Product failure caused by accident, disaster, negligence, improper installation, misuse (e.g. overdriving the amplifier or speaker, excessive heat or cold or humidity, outdoor installation), or from service or repair which has not been authorized by Sonance. Obtaining Authorized Service: To qualify for the warranty, you (1) must contact your authorized Sonance Dealer/Installer or call Sonance Customer Service at (949) 492-7777 within the warranty period, (2) must obtain a return merchandise number (RMA), and (3) deliver the Product to Sonance shipping prepaid during the warranty period, together with the original sales receipt, invoice or other satisfactory proof of purchase.

©2019 Sonance. All rights reserved. Sonance is a registered trademark of Dana Innovations.

Due to continuous product improvement, all features and specifications are subject to change without notice. For the latest Sonance product specification information visit our website: www.sonance.com

991 Calle Amanecer • San Clemente, CA 92673 USA • (949) 492-7777 • FAX: (949) 361-5151 • Technical Support: (949) 492-7777 03.05.19

336-0019 REV A