

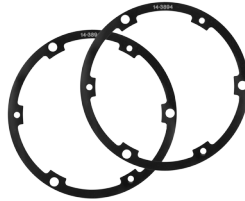
# Selecting Shims for Discreet Opening System

To allow the Speaker Grille to fit completely flush with the surrounding Finish Material, the Sonance Architectural Series Mounting Platform kit for solid surfaces, is supplied with a quantity of two (2) Mounting Ring Shim and a quantity of two (2) Speaker Shim (see photos below). NOTE: Both the Mounting Ring Shim and Speaker Shim are tied to the Mounting Ring for shipping. In order to determine which shims, if any, should be used for the installation, determine the thickness of the Finish Material and locate the corresponding Shim configuration in the table below.

Discreet Opening  
Mounting Ring Shim (1/8")



Discreet Opening  
Speaker Shim



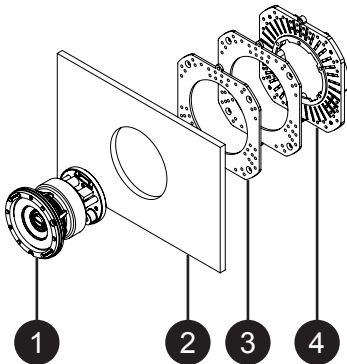
NOTE: May be needed at a later date. Do not discard.

## 1.1 Legend

- 1 - Speaker AS38RS or BPC3
- 2 - Finish Material
- 3 - Mounting Ring Shim (1/8")
- 4 - Mounting Ring
- 5 - Speaker Shim

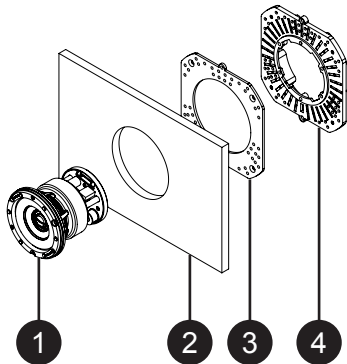
## 1.1 Solid Surface Shim Selection Chart - Discreet Speaker

3/8" Finish Material (10mm)



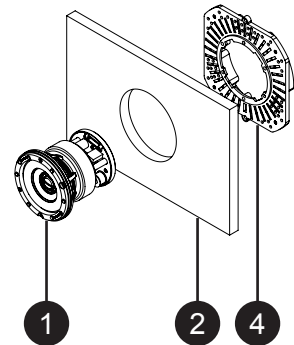
Qty. 2 - Mounting Ring Shim

1/2" Finish Material (13mm)



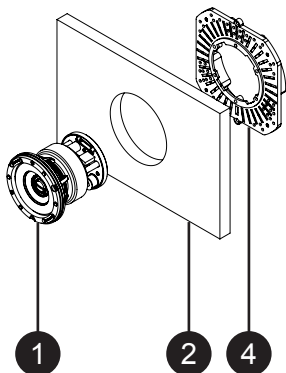
Qty. 1 - Mounting Ring Shim

5/8" Finish Material (16mm)



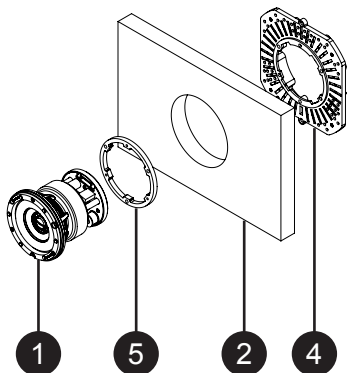
No Shim Needed

3/4" Finish Material (19mm)



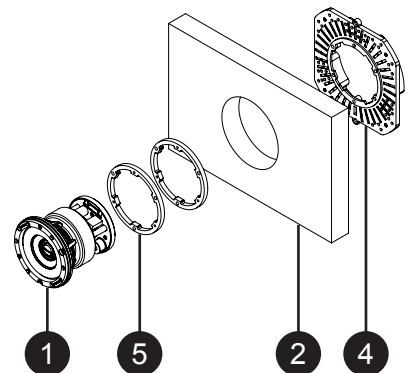
No Shim Needed

1" Finish Material (25mm)



Qty. 1 - Speaker Shim

1-1/4" Finish Material (32mm)



Qty. 2 - Speaker Shim