

SONANCE

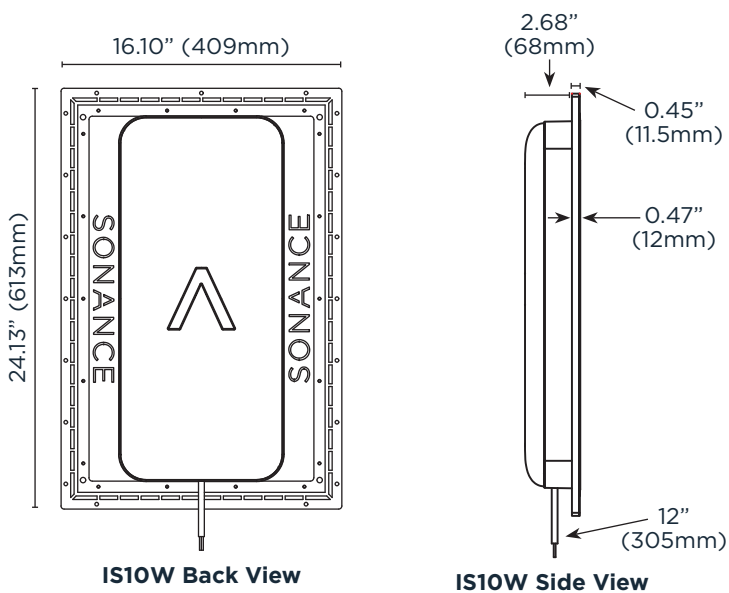
INVISIBLE SERIES DATA SHEET

IS10W WOOFER

TECHNICAL SPECIFICATIONS

SKU	93481
UOM	Each
Air Flex Woofer	244in ² (1573cm ²) air pulse diaphragm, 10in (254mm) carbon fiber woofer
Frequency Response	35Hz-250Hz (+/-3dB)
Nominal Impedance	6 Ohms
Required Amplification	One unbridged channel of DSP 2-150 MKII or DSP 8-130 MKII using the IS10W DSP filter
Sensitivity (2.83V/1m)	87dB
Working Temperature Range	0° - 125°F (-17.7° - 51.7°C)
Dispersion	180° hemispherical
Product Dimensions (WxHxD)	16.10" x 24.13" x 3.15" (409mm x 613mm x 80mm)
Mounting Depth	2.68" (68mm)

DIMENSIONAL DRAWINGS



OPTIONAL ACCESSORIES

Preconstruction Zip Ring Bracket	93485
Sound-Isolating Enclosure	93489
Space Saver	93493
DG-1 DISC System Depth Gauge	93491

ASSOCIATED PRODUCTS

REQUIRED AMPLIFICATION (CHOOSE ONE)

DSP 2-150 MKII	93378
DSP 8-130 MKII	93331

INVISIBLE SERIES SPEAKERS

IS10 Speaker	93480
IS8 Speaker	93479
IS6 Speaker	93478

INVISIBLE SERIES COMMERCIAL SPEAKER

IS8T Speaker	40197
--------------	-------

LIMITED FIFTEEN (15) YEAR WARRANTY

Sonance warrants to the first end-user purchaser that this Sonance-brand product ("Product"), when purchased from an authorized Sonance Dealer/Distributor, will be free from defective workmanship and materials for the period stated above. Sonance will at its option and expense during the warranty period, either repair the defect or replace the Product with a new or remanufactured Product or a reasonable equivalent. For more details please refer to the product manual.

©2021 Sonance. All rights reserved. Sonance is a registered trademarks of Dana Innovations. Due to continuous product improvement, all features and specifications are subject to change without notice. For the latest Sonance product specification information visit our website at www.sonance.com.

SONANCE • 991 Calle Amanecer • San Clemente, CA 92673 USA • Phone: (949) 492-7777 • Fax: (949) 361-5151 • Technical Support: (949) 492-7777 • www.sonance.com • 06.08.2021