

SONANCE

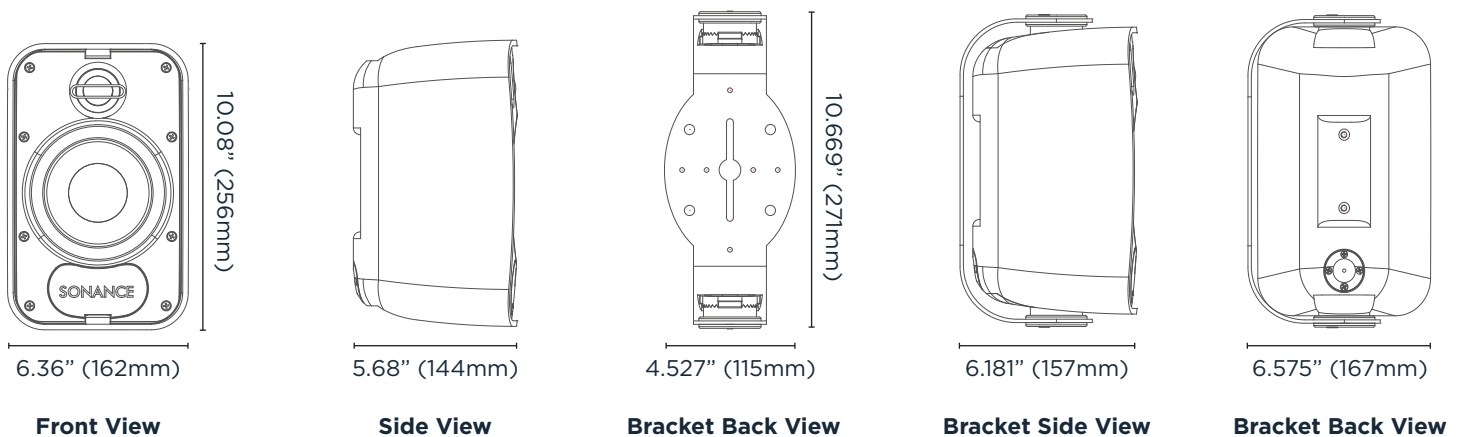
MARINER DATA SHEET

MARINER 56

TECHNICAL SPECIFICATIONS

SKU	Mariner 56 93150 - White 93151 - Black
UOM	Pair
Tweeter	1" (25mm) cloth dome, Ferrofluid cooled, acoustic back chamber
Woofers	5.25" (130mm) textured polypropylene cone, Santoprene™ surround
Frequency Response	60Hz-20Hz +/-3dB
Impedance	8 Ohms nominal; 6 Ohms minimum
Power Handling	5 Watts minimum; 70 Watts maximum
Sensitivity	88dB SPL (2.83V/1 meter)
Environmental	Mill Spec 810 for humidity, salt spray, temperature, UV; IP66 waterproof rating
Environmental Temp	-13° - 149°F(-25°C - 65°C)
Grille Material	Perforated aluminum
Dimensions (WxHxD)	6.36" x 10.08" x 5.68" (162mm x 256mm x 144mm)
Shipping Weight	13 lbs (6 kg) pair

DIMENSIONAL DRAWINGS



LIMITED FIVE (5) YEAR WARRANTY Sonance warrants to the first end-user purchaser that this Sonance-brand product ("Product"), when purchased from an authorized Sonance Dealer/Distributor, will be free from defective workmanship and materials for the period stated above. Sonance will at its option and expense during the warranty period, either repair the defect or replace the Product with a new or remanufactured Product or a reasonable equivalent. For more details please refer to the product manual.

©2021 Sonance. All rights reserved. Sonance is a registered trademarks of Dana Innovations. Due to continuous product improvement, all features and specifications are subject to change without notice. For the latest Sonance product specification information visit our website at www.sonance.com.

SONANCE • 991 Calle Amanecer • San Clemente, CA 92673 USA • Phone: (949) 492-7777 • Fax: (949) 361-5151 • Technical Support: (949) 492-7777 • www.sonance.com 08.08.2021