

# SONANCE

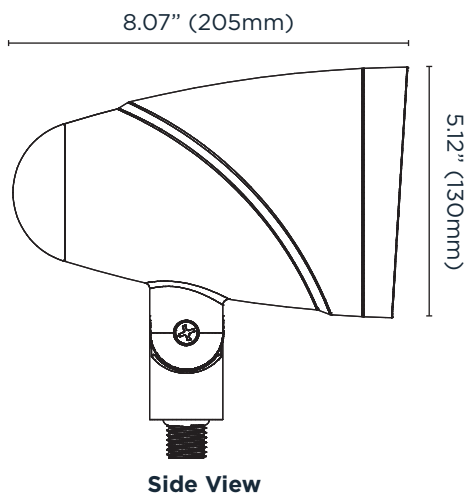
## OUTDOOR SLS DATA SHEET

### LS4T SAT

#### TECHNICAL SPECIFICATIONS

SKU	<b>LS4T SAT</b> 93369
UOM	Each
Tweeter	1" (25mm) Polyurethane dome
Woofers	4 1/2" (114mm) Injection molded polypropylene cone with a Santoprene™ rubber surround
Frequency Response	75Hz-k20Hz +/-3dB
Transformer Taps	40W, 20W, 10W, (5W 70V), 8 Ohms
Enclosure Material	High Heat ABS, non-corrosive sealed enclosure
Stake/Mount Connection	1/2" NPS mounting thread
Finish	Dark brown textured canopy
Overall Dimensions (LxDia)	8.07" x 5.12" (205mm x 130mm)
Shipping Weight	6.28 lbs (2.85 kg) each

#### DIMENSIONAL DRAWINGS



#### ASSOCIATED PRODUCTS

Sonamp DSP 2-750 MKII Amplifier / Each	93379
LS12T SUB / Each	93371
LS15T SUB / Each	93372
HS12T SUB / Each	93373
9" Ground Stake for LS4T SAT / Each	92924
Tree Mount for LS4T SAT / Each	92927
Surface Mount for LS4T SAT / Each	92926

**LIMITED FIVE (5) YEAR WARRANTY** Sonance warrants to the first end-user purchaser that this Sonance-brand product ("Product"), when purchased from an authorized Sonance Dealer/Distributor, will be free from defective workmanship and materials for the period stated above. Sonance will at its option and expense during the warranty period, either repair the defect or replace the Product with a new or remanufactured Product or a reasonable equivalent. For more details please refer to the product manual.

©2021 Sonance. All rights reserved. Sonance is a registered trademarks of Dana Innovations. Due to continuous product improvement, all features and specifications are subject to change without notice. For the latest Sonance product specification information visit our website at [www.sonance.com](http://www.sonance.com).

SONANCE • 991 Calle Amanecer • San Clemente, CA 92673 USA • Phone: (949) 492-7777 • Fax: (949) 361-5151 • Technical Support: (949) 492-7777 • [www.sonance.com](http://www.sonance.com) 08.03.2021