

SONANCE

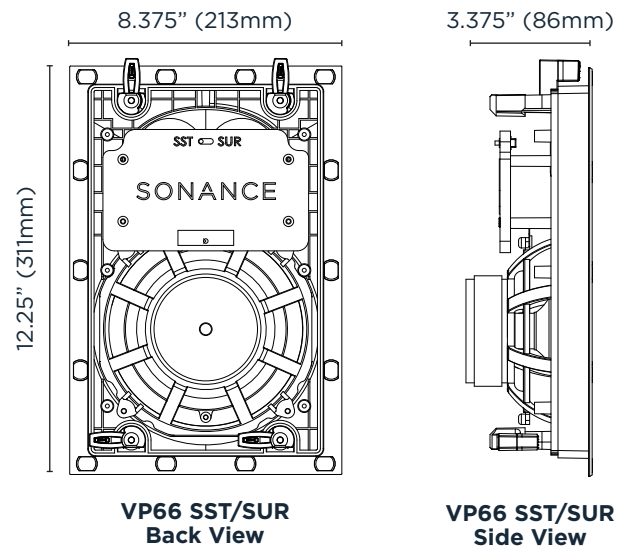
VISUAL PERFORMANCE DATA SHEET

VP66 SST/SUR

TECHNICAL SPECIFICATIONS

| | |
|----------------------------|--|
| SKU | VP66 SST/SUR 93027 |
| UOM | Each |
| Tweeter | Two 1" (25mm) powder coated aluminum domes, Ferrofluid-cooled, acoustic back chamber |
| Woofer | 6.5" (165mm) Kevlar/Nomex laminated cone, rubber surround, dual voice coil |
| Frequency Response | 43Hz - 20kHz +/- 3dB |
| Impedance | 8 Ohms nominal; 6 Ohms minimum |
| Power Handling (RMS) | 5 watts minimum; 140 watts maximum |
| Sensitivity (2.83V/1m) | 90dB SPL |
| Product Dimensions (WxHxD) | 8.375" x 12.25" x 3.375" (213mm x 311mm x 86mm) |
| Cut-Out Dims (WxH) | 6.9375" x 10.75" (176mm x 273mm) |
| Shipping Weight | 6 lbs. (2.7kg) |

DIMENSIONAL DRAWINGS



ASSOCIATED PRODUCTS

MEDIUM RECTANGLE MODEL

| | |
|--|-------|
| Retrofit Enclosure / Pair | 92342 |
| Flex Bracket / 5xPair | 92336 |
| Masonry Bracket / Pair | 92066 |
| Fire-Rated Listed Shallow Backcan / Each | 92807 |
| Coverplate / Pair | 92334 |
| Acoustic Enclosure / Each | 91687 |

LIMITED FIVE (5) YEAR WARRANTY Sonance warrants to the first end-user purchaser that this Sonance-brand product ("Product"), when purchased from an authorized Sonance Dealer/Distributor, will be free from defective workmanship and materials for the period stated above. Sonance will at its option and expense during the warranty period, either repair the defect or replace the Product with a new or remanufactured Product or a reasonable equivalent. For more details please refer to the product manual.

©2021 Sonance. All rights reserved. Sonance is a registered trademark of Dana Innovations. Due to continuous product improvement, all features and specifications are subject to change without notice. For the latest Sonance product specification information visit our website at www.sonance.com.

SONANCE • 991 Calle Amanecer • San Clemente, CA 92673 USA • Phone: (949) 492-7777 • Fax: (949) 361-5151 • Technical Support: (949) 492-7777 • www.sonance.com 03.30.2021