

# SONANCE

## VISUAL PERFORMANCE DATA SHEET

### VP80R + SQUARE ADAPTER

#### TECHNICAL SPECIFICATIONS

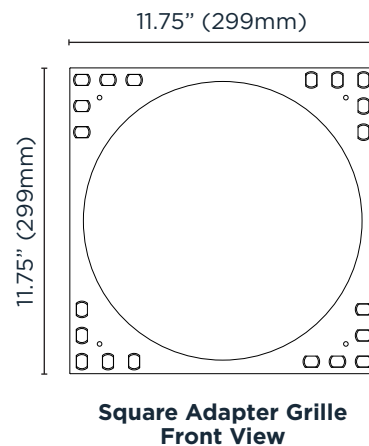
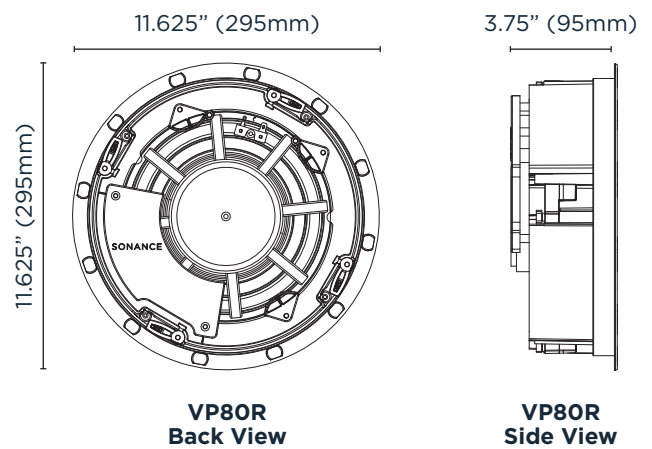
|                               |   |
|-------------------------------|---|
| SKU                           | <b>VP60R</b><br>93089                             |
| UOM                           | Pair  |
| Tweeter                       | 1" (25mm) cloth dome,<br>Ferrofluid-cooled        |
| Woofer                        | 8" (203mm) polypropylene<br>cone, rubber surround |
| Frequency Response            | 42Hz - 20kHz +/- 3dB                              |
| Impedance                     | 8 Ohms nominal;<br>6 Ohms minimum                 |
| Power Handling (RMS)          | 5 watts minimum;<br>125 watts maximum             |
| Sensitivity (2.83V/1m)        | 90dB SPL  |
| Product Dimensions<br>(DiaxD) | 11.625" x 11.625"<br>(295mm x 95mm)               |
| Cut-Out Dims<br>(Dia)         | 10.125"<br>(257mm)                                |
| Shipping Weight               | 12.5 lbs. (5.67kg)                                |

#### ASSOCIATED PRODUCTS

##### VP8SQ MODEL

|                                       |       |
|---------------------------------------|-------|
| Square Adapter w/ Grille / Pair       | 93031 |
| Square Adapter w/ Grille / 5xPair     | 93034 |
| Large Round Retrofit Enclosure / Pair | 92243 |
| Large Round Acoustic Enclosure / Each | 91900 |
| Large Round Flex Bracket / 5xPair     | 92247 |
| Fire-Rated Listed Deep Backcan / Each | 92808 |
| Large Round Coverplate / Pair         | 92245 |

#### DIMENSIONAL DRAWINGS



**LIMITED FIVE (5) YEAR WARRANTY** Sonance warrants to the first end-user purchaser that this Sonance-brand product ("Product"), when purchased from an authorized Sonance Dealer/Distributor, will be free from defective workmanship and materials for the period stated above. Sonance will at its option and expense during the warranty period, either repair the defect or replace the Product with a new or remanufactured Product or a reasonable equivalent. For more details please refer to the product manual.

©2021 Sonance. All rights reserved. Sonance is a registered trademark of Dana Innovations. Due to continuous product improvement, all features and specifications are subject to change without notice. For the latest Sonance product specification information visit our website at [www.sonance.com](http://www.sonance.com).

SONANCE • 991 Calle Amanecer • San Clemente, CA 92673 USA • Phone: (949) 492-7777 • Fax: (949) 361-5151 • Technical Support: (949) 492-7777 • [www.sonance.com](http://www.sonance.com) 03.30.2021