

# VISUAL PERFORMANCE IN-WALL SUBWOOFER

---

## VPSUB

### Overview

Designed to fit any new construction or retro-fit application in standard 3 1/2" deep wall cavities, the VPSUB delivers cabinet-level performance in a discreet in-wall form factor.

### Key Features

#### Aesthetics

- Sleek, low profile design consistent with Sonance Visual Performance Series

#### Performance

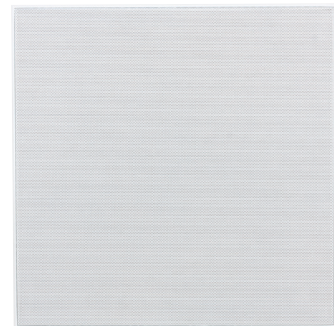
- Massive re-designed motor structure
- Dual Spider Technology (DST) for up to +/- 13mm of controlled linear excursion
- 4 1/2" (115mm) precision-aligned voice coil with 1 1/2" (38mm) winding height
- 1.4 lbs (.64kg) N38SH Neodymium magnet
- Custom-tuned DSP settings when paired with a Sonance DSP amplifier (sold separately)

#### Installation

- Designed to fit into a standard 3 1/2" wall cavity with 16" on-center stud configuration
- Simplified single-step grille painting process
- Spring-loaded speaker wire terminals to accept standard wire or pin connector



VPSUB



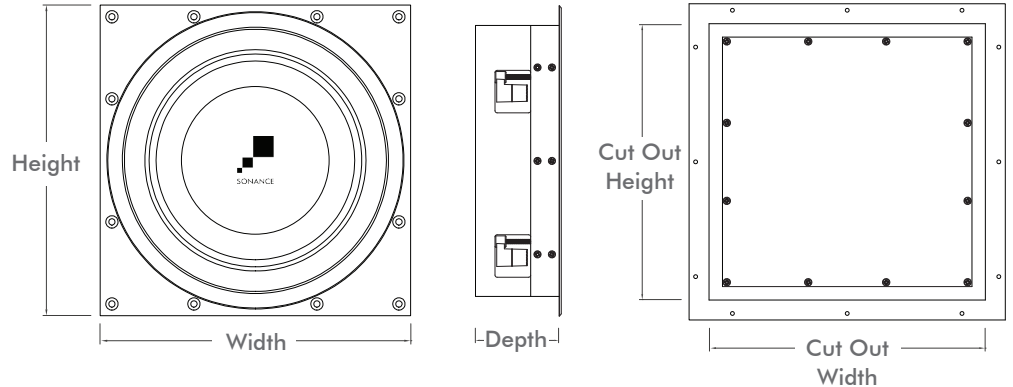
VPSUB Grille



Speaker Terminal

## Dimensions

<b>Width:</b>	15" (381mm)
<b>Height:</b>	15" (381mm)
<b>Depth:</b>	3 7/8" (98mm)
<b>Cut Out Width:</b>	12 3/4" (324mm)
<b>Cut Out Height:</b>	12 3/4" (324mm)



## Specifications

<b>SKU:</b>	93353
<b>Unit of Measure:</b>	Each
<b>Woofers:</b>	10" (254mm) laminated carbon fiber cone with a rubber surround
<b>Frequency Response:</b>	34Hz - 250Hz $\pm$ 3dB
<b>Impedance:</b>	8 Ohms nominal
<b>Sensitivity:</b>	90dB SPL (2.83v/1 meter)
<b>Power Handling:</b>	260 Watts
<b>Shipping Weight:</b>	13 lbs (6kg) each
<b>Required Amplification:</b>	Sonamp DSP 2-150 or Sonamp DSP 8-130 MKII (Using two channels bridged)

## Recommended Products



**Sonamp DSP 2-150 Amplifier**  
SKU 93093



**Sonamp DSP 8-130 MKII Amplifier**  
SKU 93331

### LIMITED FIVE (5) YEAR WARRANTY

Sonance warrants to the first end-user purchaser that this Sonance-brand product ("Product"), when purchased from an authorized Sonance Dealer/Distributor, will be free from defective workmanship and materials for five (5) years. Sonance will, at its option and expense, either repair the defect or replace the Product with a new or remanufactured Product or a reasonable equivalent. **Please visit our website and owner's e-Manual for complete warranty and exclusion information.**



©2017 Sonance. All rights reserved. Sonance and Visual Performance are registered trademarks of Dana Innovations.

Due to continuous product improvement, all features and specifications are subject to change without notice. For the latest Sonance product specification information visit our website: [www.sonance.com](http://www.sonance.com)

SONANCE • 991 Calle Amanecer • San Clemente, CA 92673 USA (949) 492-7777 • FAX: (949) 361-5151 • Technical Support: (949) 492-7777  
[www.sonance.com](http://www.sonance.com)