

# VISUAL PERFORMANCE SUBWOOFER

## VPSUB QUICKSTART GUIDE



### Box Contents

- (1) Quickstart Guide
- (1) Visual Performance in-wall subwoofer (VPSUB)
- (1) Cut-out template

**NOTE: VPSUB SHOULD BE PAIRED WITH A DSP 2-150 OR A DSP 8-130 MKII AMPLIFIER (SOLD SEPARATELY).**

### Before Installation

1. Determine the location for the subwoofer(s).
2. Perform an obstruction survey using a stud finder to be certain that there are no obstructions.
3. Position the included cutout template where the subwoofer is to be located and pencil an outline on the wall. The cut-out for the VPSUB is 12 3/4" x 12 3/4" (324mm x 324mm).
4. Cut the mounting hole using a keyhole or drywall saw and run the subwoofer wires from the mounting hole to the amplifier location.

**NOTE: CONSULT LOCAL BUILDING CODES BEFORE RUNNING SUBWOOFER WIRES THROUGH WALLS.**

### Installation

1. Strip 1/4" – 1/2" (6mm – 12mm) of insulation from each subwoofer lead.
2. Twist the strands or tin the exposed wire with solder to ensure that there are no stray strands.

**NOTE: STRAY STRANDS THAT TOUCH EACH OTHER CAN CAUSE A SHORT-CIRCUIT THAT CAN DAMAGE THE AMPLIFIER.**

3. The subwoofer's terminals are spring-loaded. Push the top of each terminal down to open the connector and insert the exposed wires (see Figure 1).
4. The subwoofer's positive spring terminal is labeled with a red dot; the negative spring terminal is labeled with a black dot.
5. Each VPSUB should be driven by a dedicated channel of a DSP 2-150 or DSP 8-130 MKII amplifier. Be sure to select the corresponding EQ preset in the amplifier using SONARC.

**NOTE: WITHOUT THE EQ PRESET, THE VPSUB OUTPUT WILL BE SEVERELY LIMITED.**

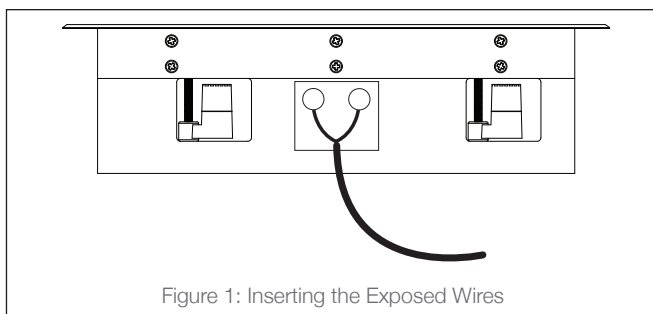


Figure 1: Inserting the Exposed Wires

6. Make sure all the RotoLock® toggle feet are retracted so that they can fit within the mounting hole. Insert the subwoofer into the hole in the wall (see Figure 2).

**NOTE: THE ROTOLOCK® SYSTEM CAN ACCOMMODATE A WALL MATERIAL THICKNESS OF 1 1/4" (32MM) WITH THE TOGGLE FOOT CAP REMOVED THE SYSTEM CAN ACCOMMODATE A WALL MATERIAL THICKNESS OF 1 7/8" (48MM).**

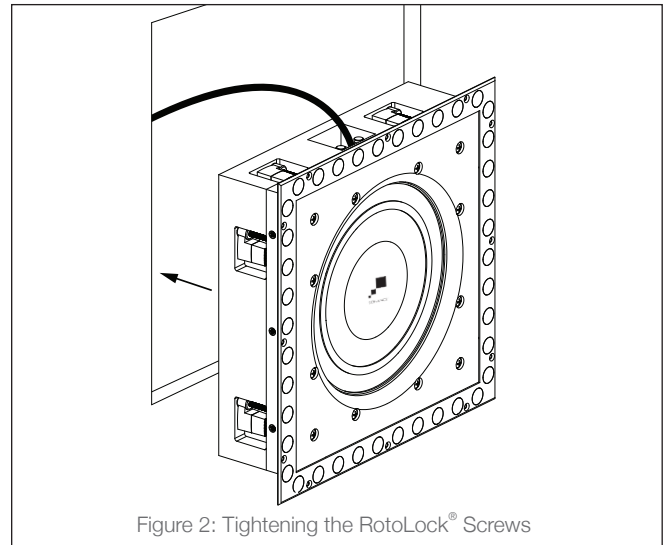


Figure 2: Tightening the RotoLock® Screws

7. When installing into double drywall or other thicker wall materials, you may need to remove part of the two-piece toggle feet. Use a small screwdriver to gently release the two locking levers (see Figure 3).

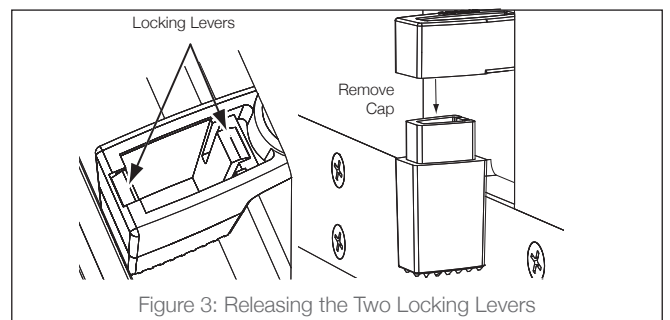


Figure 3: Releasing the Two Locking Levers

8. Tighten the screws on the front of the subwoofer baffle. The RotoLock® toggle feet will automatically rotate into position and begin clamping the subwoofer. When you notice resistance on the screws the speaker has been clamped successfully.

**IMPORTANT: ALWAYS USE LOW-TORQUE SETTINGS; NEVER OVER TIGHTEN. NOTE: ADJUSTING THE TENSION OF THE ROTOLOCK® CLAMPS SO THAT THE SUBWOOFER FRAME IS FLAT WILL HELP ENSURE THAT THE GRILLE CONTACTS THE WALL ALL THE WAY AROUND THE SUBWOOFER FOR A PROPER FIT.**

9. The micro-trim grille is held in place by several small, powerful magnets on the speaker frame. Place the grille against the subwoofer and the magnets will hold it firmly in place. When properly installed, the grille trim should make contact with the wall all the way around the subwoofer.

LIMITED FIVE (5) YEAR WARRANTY - Sonance warrants to the first end-user purchaser that this Sonance-brand product ("Product"), when purchased from an authorized Sonance Dealer/Distributor, will be free from defective workmanship and materials for Five (5) years. Sonance will at its option and expense during the warranty period, either repair the defect or replace the Product with a new or remanufactured Product or a reasonable equivalent.

©2017 Sonance. All rights reserved. Sonance is a registered trademark of Dana Innovations. Due to continuous product improvement, all features and specifications are subject to change without notice. For the latest Sonance product specification information visit our website: [www.sonance.com](http://www.sonance.com)