

SONANCE VISUAL PERFORMANCE SERIES

BANDPASS CONNECTOR QUICKSTART GUIDE

VPBPC3R TL (ROUND)



Box Contents

- (1) Quickstart guide
- (1) Bandpass connector
- (1) Round grille

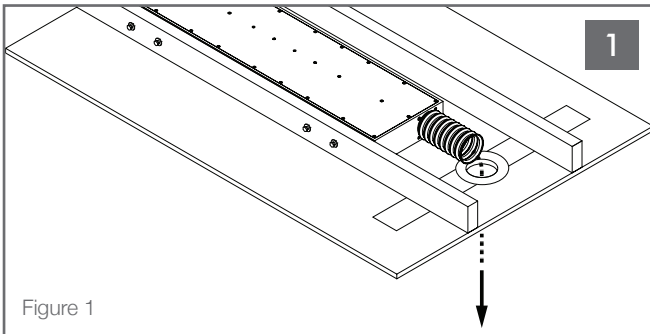


Figure 1

Inspect the installed BPS6 TL flex bracket location for the BPS6 TL port tube and clamp ring. Pull the port tube through the flex bracket to ensure that at least 4 ribs or 2 1/2" (63.5mm) of the tube are exposed through the opening. (See Figure 1).

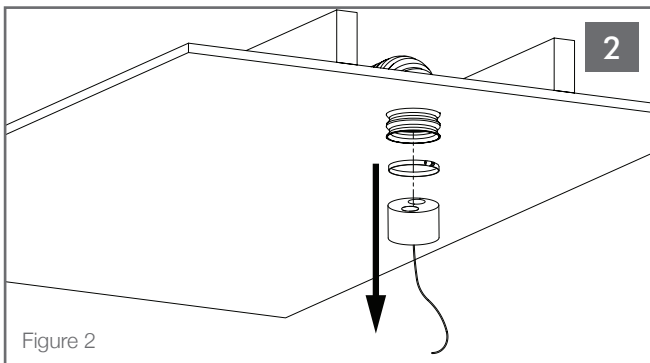


Figure 2

Remove and discard the foam plug and tether from within the port tube. (See Figure 2).

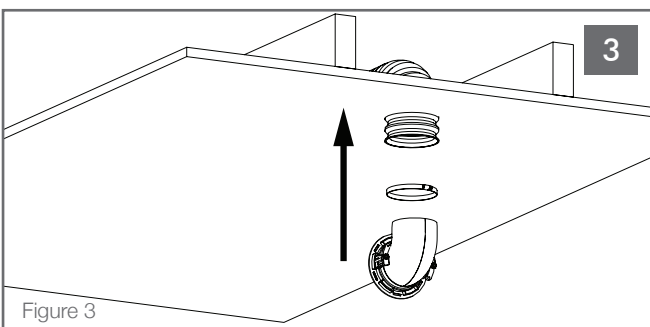


Figure 3

Loosen the clamp ring on the port tube and slide the VPBPC3R TL into the end of the exposed tube. Tighten the hose clamp to secure the port tube to the VPBPC3R TL. (See Figure 3).

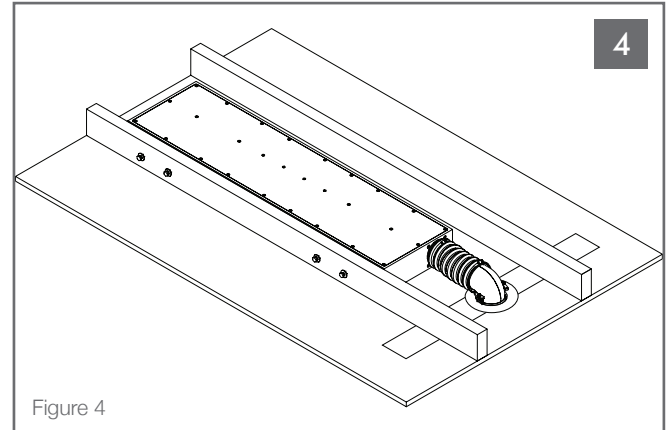


Figure 4

Feed the tube and attached VPBPC3R TL back into the flex bracket hole, rotating 1/4 turn clockwise as necessary to relieve any tube resistance within the wall or ceiling. (See Figure 4).

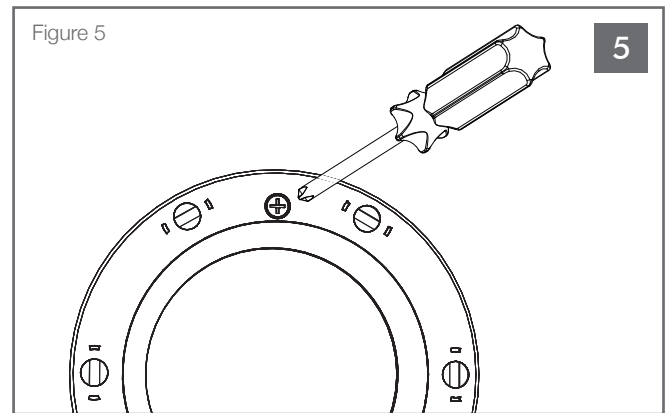


Figure 5

Once the VPBPC3R TL face is flush with the surface, use a screwdriver to tighten the two RotoLock clamp screws until the clamps grip the back of the surface and secure the VPBPC3R TL into place. (See Figure 5).

IMPORTANT: ALWAYS USE LOW-TORQUE SETTINGS; NEVER OVER TIGHTEN.

NOTE: ADJUSTING THE TENSION OF THE ROTOLOCK CLAMPS SO THAT THE SPEAKER FRAME IS FLAT WILL HELP ENSURE THAT THE GRILLE CONTACTS THE WALL ALL THE WAY AROUND THE SPEAKER FOR A PROPER FIT.

Install the grille. The grille will hold in place using magnets in the VPBPC3R TL.

NOTE: VP SQUARE GRILLE ADAPTER AVAILABLE; SOLD SEPARATELY. (SKU# 93120)

NOTE: FOR PAINTED GRILLE APPLICATIONS, SEE GRILLE PAINTING INSTRUCTIONS IN THE DOWNLOAD SECTION AT THE BOTTOM OF THE WEBPAGE: WWW.SONANCE.COM/IN-WALL-IN-CEILING/BPS6-TL